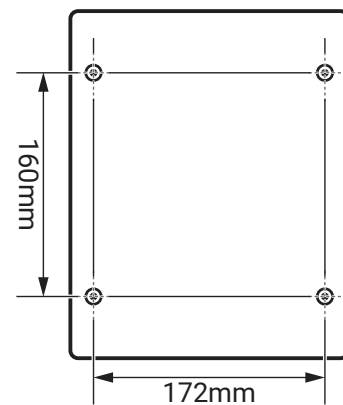
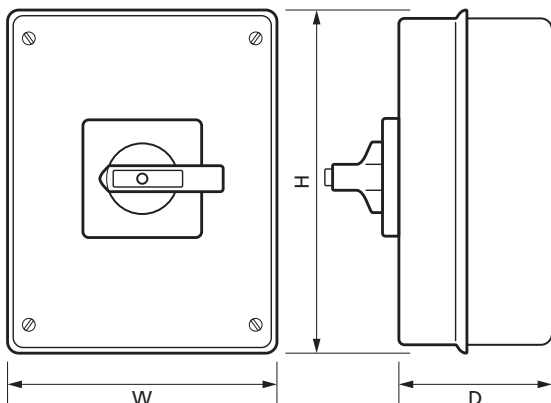


## 100A 4 Pole Surface Mounting Rotary Isolator Metal Clad Enclosure IP54

Product Ref: **SMI100-4M**

### Technical Features:

- Epoxy coated strong steel construction
- Low smoke and fume paint
- Easy access and switch removal
- Padlockable for added security
- Knockout cable entries
- Switch ratings at AC21



Fixing Centres

## Product Specification

Voltage Rating	690V
Current Rating	100A
IP Rating	IP54
Weight	2.610kg
Number of Poles	4 Pole
Mounting	Surface
Cable Entry	Knockout Cable Entries
Fixing Centres	172mm x 160mm
Lockable	Yes
Colour	Red/Yellow/Grey
Material	Steel
Operating Temperature Range	-5°C to 40°C
Compliance	UKCA, CE
Guarantee	1 Year
Standards	IEC/EN 60947-1/3
Depth	125mm
Height	270mm
Width	215mm

### Terminal Specification

Single / Multi Strand Wire	2.5 - 50mm <sup>2</sup>
Fine Strand Wire with Sleeve	4 - 50mm <sup>2</sup>
Recommended Tightening Torque for Terminals	2.5Nm

Errors and omissions excepted (E&OE). All information is subject to change without notice and is correct at the time of print. Refer to issue number and date below.

## 100A 4 Pole Surface Mounting Rotary Isolator Metal Clad Enclosure IP54

Product Ref: **SMI100-4M**

### Rated Operational Voltage Ue

Volts	<b>690V</b>
Main switch: Isolating voltage up to	<b>750V</b>
Rated impulse withstand voltage Uimp	<b>6kV</b>
Rated uninterrupted current Iu	<b>100A</b>

### Rated operational current Ie

IEC & EN	AC-22A	Up to 690V	<b>100A</b>
	AC-21A	Up to 690V	<b>100A</b>
	AC-1	Up to 690V	<b>100A</b>

### Rated operational power AC-23A (50-60Hz)

IEC & EN	3 Phase	220 - 240V	<b>45kW</b>
		380 - 440V	<b>55kW</b>
		500 - 690V	<b>90kW</b>

### Rated operational power AC-3A (50-60Hz)

IEC & EN	3 Phase	220 - 240V	<b>37kW</b>
		440V	<b>45kW</b>
		690V	<b>55kW</b>

### UL Power Rating

DOL	3 Phase	120V	<b>7.5hp</b>
		240V	<b>20hp</b>
		480V	<b>30hp</b>
		600V	<b>40hp</b>
	1 Phase	120V	<b>3hp</b>
		240V	<b>7.5hp</b>

### UL Short Circuit Ratings

Fuse rating, class J	Amps	<b>125A</b>
Fuse rating, class RK5	Amps	-
Rated Fused short circuit current	Amps	<b>10kA</b>

### Short Circuit Capacity (IEC)

Max fuse size (Type gl)	Amps	<b>125A</b>
Rated Fused short circuit current	Amps	<b>30kA</b>

Errors and omissions excepted (E&OE). All information is subject to change without notice and is correct at the time of print. Refer to issue number and date below.