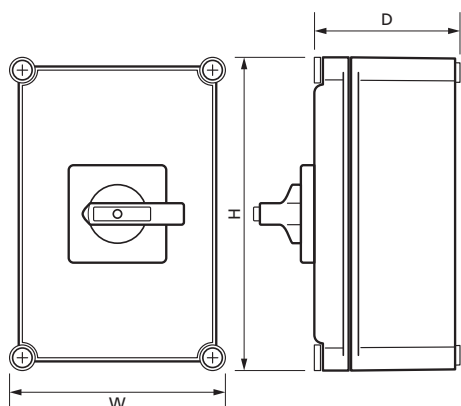


## 125A 4 Pole Surface Mounting Rotary Isolator Plastic Enclosure IP65

Product Ref: **SMI125-4**

### Technical Features:

- Insulated enclosure flame retardant material
- Low smoke and halogen free
- Easy access and switch removal
- Padlockable for added security
- Knockout cable entries
- Switch ratings at AC21



## Product Specification

Voltage Rating	690V
Current Rating	125A
IP Rating	IP65
Weight	1.745kg
Number of Poles	4 Pole
Mounting	Surface
Cable Entry	Knockout Cable Entries
Lockable	Yes
Colour	Red/Yellow/Grey
Material	PC
Operating Temperature Range	-5°C to 40°C
Compliance	UKCA, CE
Guarantee	1 Year
Standards	IEC/EN 60947-1, IEC/EN 60947-3
Depth	130mm
Height	280mm
Width	190mm

### Terminal Cross Section

Single / Multi Strand Wire	2.5 - 50mm <sup>2</sup>
Fine Strand Wire with Sleeve	4 - 50mm <sup>2</sup>
American wire gauge	AWG 1
Recommended Tightening Torque for Terminals	2.5Nm

Errors and omissions excepted (E&OE). All information is subject to change without notice and is correct at the time of print. Refer to issue number and date below.

Tel: +44 (0)1302 342 642 • mcg.co.uk • [X@mcg\\_industrial](mailto:info@mcg_industrial)