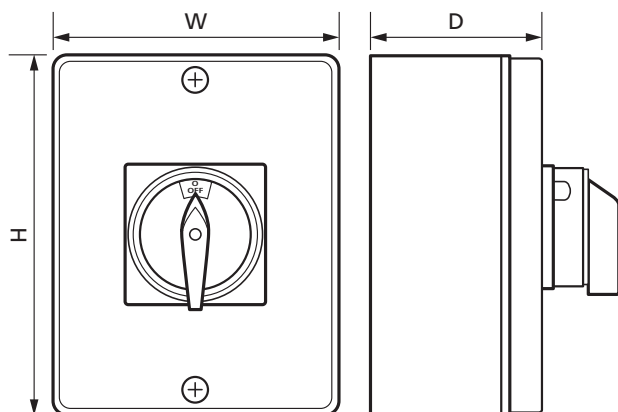


32A 3 Pole Surface Mounting Rotary Isolator Plastic Enclosure IP65

Product Ref: **SMI32-3**

Technical Features:

- Insulated enclosure flame retardant material
- Low smoke and halogen free
- Easy access and switch removal
- Padlockable for added security
- Knockout cable entries
- Switch ratings at AC21

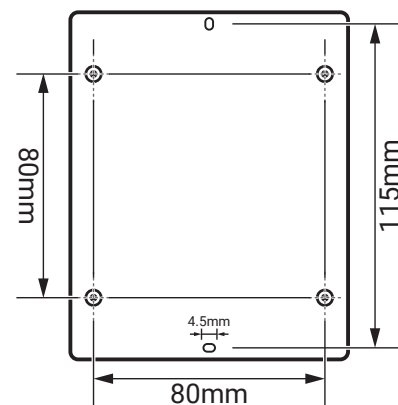


Product Specification

| | |
|-----------------------------|--------------------------------|
| Voltage Rating | 690V |
| Current Rating | 32A |
| IP Rating | IP65 |
| Weight | 0.408kg |
| Number of Poles | 3 Pole |
| Mounting | Surface |
| Cable Entry | Knockout Cable Entries |
| Fixing Centres | 80mm x 80mm |
| Lockable | Yes |
| Colour | Red/Yellow/Grey |
| Material | PC |
| Operating Temperature Range | -5°C to 40°C |
| Compliance | UKCA, CE |
| Guarantee | 1 Year |
| Standards | IEC/EN 60947-1, IEC/EN 60947-3 |
| Depth | 74mm |
| Height | 125mm |
| Width | 100mm |

Terminal Cross Section

| | |
|---|-------------------------|
| Single / Multi Strand Wire | 2.5 - 10mm ² |
| Fine Strand Wire with Sleeve | 0.75 - 6mm ² |
| American wire gauge | AWG 10 |
| Recommended Tightening Torque for Terminals | 1.7Nm |



Fixing Centres

Errors and omissions excepted (E&OE). All information is subject to change without notice and is correct at the time of print. Refer to issue number and date below.

Tel: +44 (0)1302 342 642 • mcg.co.uk • @mcg_industrial