

32A 4 Pole Surface Mounting Rotary Isolator Metal Clad Enclosure IP54

Product Ref: **SMI32-4M**

Technical Features:

- Epoxy coated strong steel construction
- Low smoke and fume paint
- Easy access and switch removal
- Padlockable for added security
- Knockout cable entries
- Switch ratings at AC21

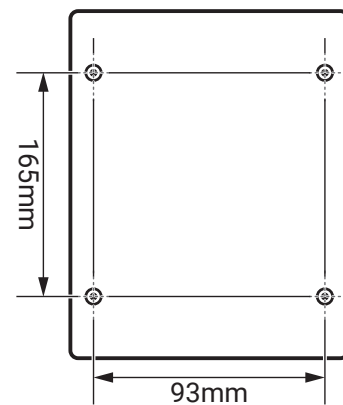
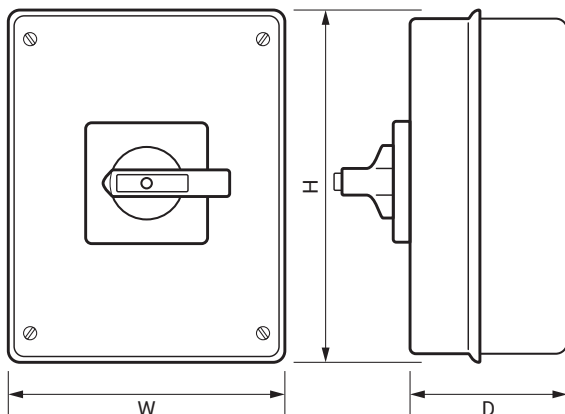


Product Specification

Voltage Rating	690V
Current Rating	32A
IP Rating	IP54
Weight	1.242kg
Number of Poles	4 Pole
Mounting	Surface
Cable Entry	Knockout Cable Entries
Fixing Centres	93mm x 165mm
Lockable	Yes
Colour	Red/Yellow/Grey
Material	Steel
Operating Temperature Range	-5°C to 40°C
Compliance	UKCA, CE
Guarantee	1 Year
Standards	IEC/EN 60947-1/3
Depth	90mm
Height	220mm
Width	145mm

Terminal Specification

Single / Multi Strand Wire	2.5 - 10mm ²
Fine Strand Wire with Sleeve	0.75 - 6mm ²
Recommended Tightening Torque for Terminals	1.7Nm



Fixing Centres

Errors and omissions excepted (E&OE). All information is subject to change without notice and is correct at the time of print. Refer to issue number and date below.

32A 4 Pole Surface Mounting Rotary Isolator Metal Clad Enclosure IP54

Product Ref: **SMI32-4M**

Rated Operational Voltage Ue

Volts	690V
Main switch: Isolating voltage up to	750V
Rated impulse withstand voltage Uimp	6kV
Rated uninterrupted current Iu	25A

Rated operational current Ie

IEC & EN	AC-22A	Up to 690V	25A
	AC-21A	Up to 690V	32A
	AC-1	Up to 690V	32A

Rated operational power AC-23A (50-60Hz)

IEC & EN	3 Phase	220 - 240V	11kW
		380 - 440V	15kW
		500 - 690V	22kW

Rated operational power AC-3A (50-60Hz)

IEC & EN	3 Phase	220 - 240V	7.5kW
		440V	11kW
		690V	15kW

UL Power Rating

DOL	3 Phase	120V	3hp
		240V	7.5hp
		480V	15hp
	1 Phase	600V	20hp
		120V	1.5hp
		240V	2hp

UL Short Circuit Ratings

Fuse rating, class J	Amps	45A
Fuse rating, class RK5	Amps	-
Rated Fused short circuit current	Amps	10kA

Short Circuit Capacity (IEC)

Max fuse size (Type gl)	Amps	32A
Rated Fused short circuit current	Amps	30kA

Errors and omissions excepted (E&OE). All information is subject to change without notice and is correct at the time of print. Refer to issue number and date below.