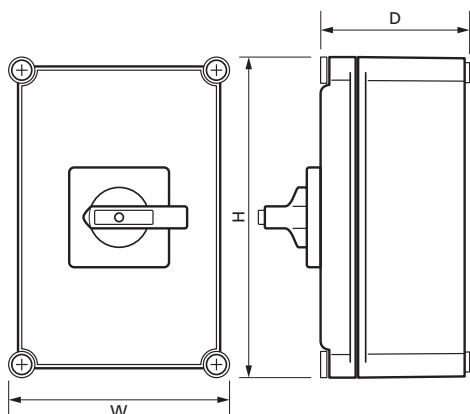


40A 6 Pole Surface Mounting Rotary Isolator Plastic Enclosure IP65

Product Ref: **SMI40-6**

Technical Features:

- Insulated enclosure flame retardant material
- Low smoke and halogen free
- Easy access and switch removal
- Padlockable for added security
- Knockout cable entries
- Switch ratings at AC22



Product Specification

Voltage Rating	690V
Current Rating	40A
IP Rating	IP65
Weight	1.480kg
Number of Poles	6 Pole
Mounting	Surface
Cable Entry	Knockout Cable Entries
Lockable	Yes
Colour	Red/Yellow/Grey
Material	ABS
Compliance	UKCA, CE
Guarantee	1 Year
Standards	IEC/EN 60947-1, IEC/EN 60947-3
Depth	130mm
Height	280mm
Width	190mm

Errors and omissions excepted (E&OE). All information is subject to change without notice and is correct at the time of print. Refer to issue number and date below.

Tel: +44 (0)1302 342 642 • mcg.co.uk • [@mcg_industrial](https://twitter.com/mcg_industrial)