

Single Phase Conversion Kit

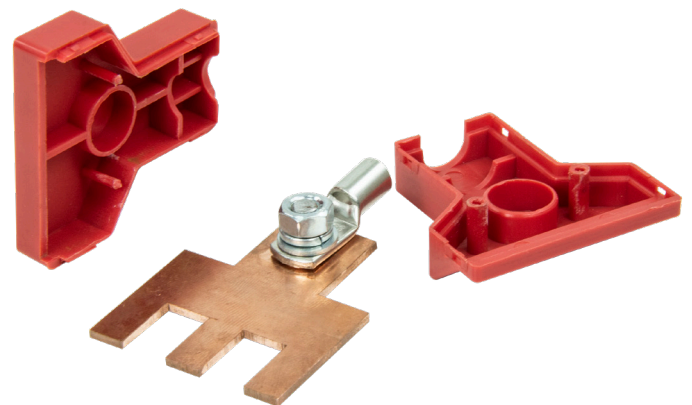
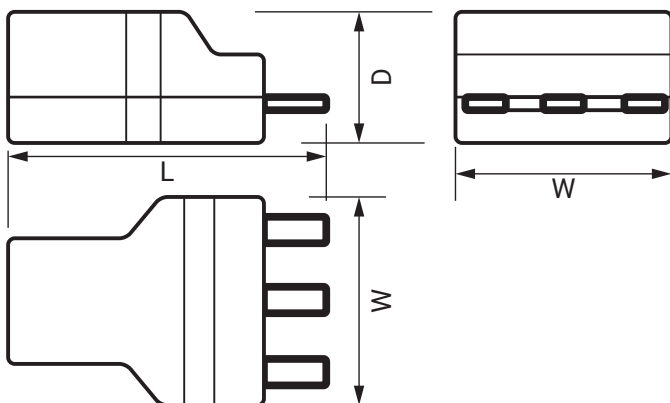
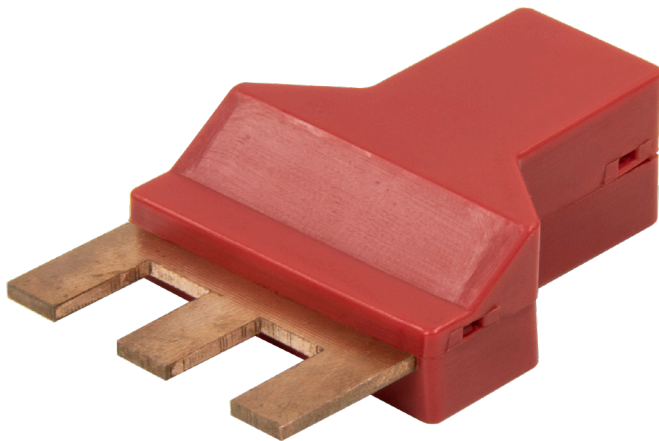
Product Ref: **TPN-1PHCK**

Technical Features:

- Three-phase to single-phase conversion kit
- Designed for use with MCG Gen 2 range of TPN Boards
- 1 x main copper 1 pole 3 pole connector with 8mm stud
- 1 x plastic shroud for copper connector
- 1 x incoming mains cable crimp

Product Specification

Screw Size	M6
Weight	0.055kg
Terminal Capacity	50mm ²
Colour	Red
Torque Setting	3Nm
Material	Metal / Plastic
Compliance	UKCA, CE
Guarantee	1 Year
Standards	BS EN 61439-3
Depth	20mm
Length	50mm
Width	65mm



Errors and omissions excepted (E&OE). All information is subject to change without notice and is correct at the time of print. Refer to issue number and date below.

Tel: +44 (0)1302 342 642 • mcg.co.uk • [X@mcg_industrial](mailto:info@mcg_industrial)