

MCB Blanking Pieces (Strip of 6 1/2 Module Blanks)

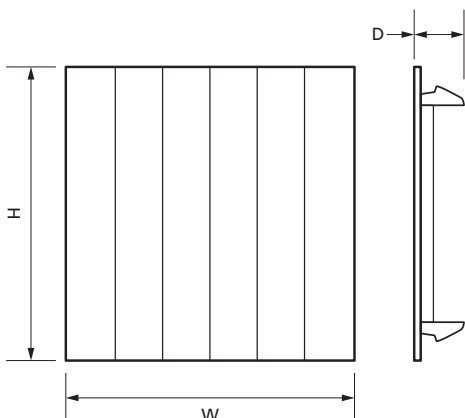
Product Ref: **TPN-BM**

Technical Features:

- Designed for use with 3 phase distribution boards
- 3 module long strip features 6 x 8.75mm blanks

Product Specification

Weight	0.008kg
Colour	Grey
Finish	Smooth
Material	Plastic
Compliance	UKCA, CE
Guarantee	1 Year
Depth	10mm
Height	55mm
Width	54mm



Errors and omissions excepted (E&OE). All information is subject to change without notice and is correct at the time of print. Refer to issue number and date below.

Tel: +44 (0)1302 342 642 • mcg.co.uk • [@mcg_industrial](https://twitter.com/mcg_industrial)