

Spare Door

Screws x 4

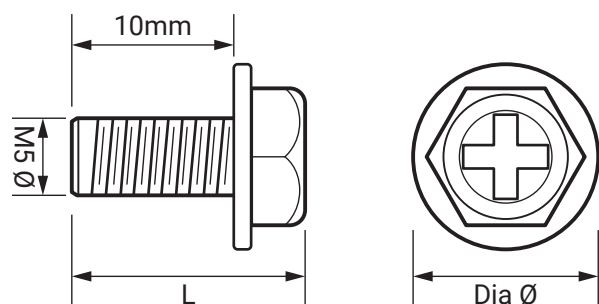
Product Ref: **TPN-DSCSET**

Technical Features:

- Only for use with MCG Gen 2 range of TPN Boards
- x4 Spare screws

Product Specification

Screw Size	M5x10
Qty	4
Weight	0.012kg
Colour	Silver
Torque Setting	2.5Nm
Material	Steel
Compliance	UKCA, CE
Diameter Ø	10mm
Length	14mm
Thread Length	10mm



Errors and omissions excepted (E&OE). All information is subject to change without notice and is correct at the time of print. Refer to issue number and date below.

Tel: +44 (0)1302 342 642 • mcg.co.uk • XXXX@mcg_industrial