

## Earth Extension Kit

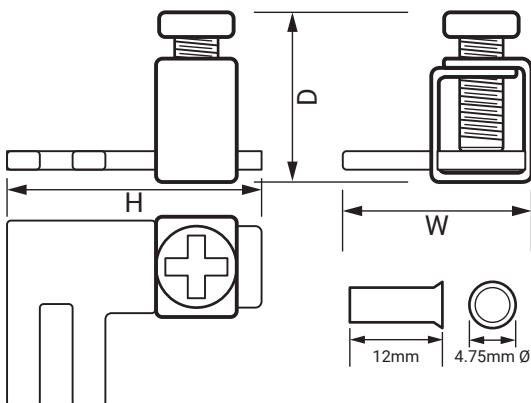
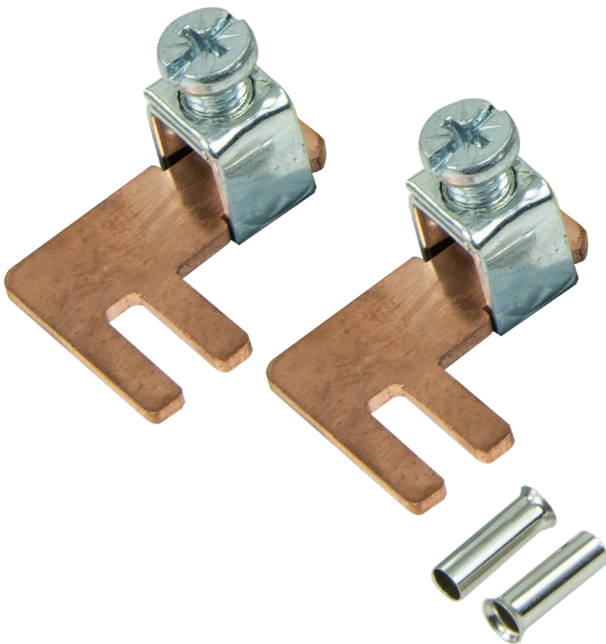
Product Ref: **TPN-EKIT**

### Technical Features:

- Only for use with MCG Gen 2 range of TPN Boards
- Only for use in conjunction with MCG extension board (TPN-EXTB)

## Product Specification

Screw Size	M6
Weight	0.032kg
Terminal Capacity	50mm <sup>2</sup>
Mounting	Earth Terminal of Gen 2 TPN Boards
Colour	Copper/Silver
Torque Setting	3Nm
Material	Copper/Steel
Compliance	UKCA, CE
Guarantee	1 Year
Standards	BS EN 61439-3
Depth	21mm
Height	32mm
Width	24mm



Errors and omissions excepted (E&OE). All information is subject to change without notice and is correct at the time of print. Refer to issue number and date below.

Tel: +44 (0)1302 342 642 • [mcg.co.uk](http://mcg.co.uk) • [X@mcg\\_industrial](mailto:info@mcg_industrial)