

Spare Pan Assembly/ Gland Plate Screws x 2

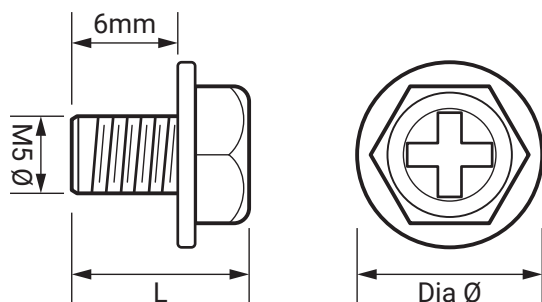
Product Ref: **TPN-INTSET**

Technical Features:

- Only for use with MCG Gen 2 range of TPN Boards
- x2 Spare screws

Product Specification

Screw Size	M5x6
Qty	2
Weight	0.005kg
Colour	Silver
Torque Setting	2Nm
Material	Steel
Compliance	UKCA, CE
Diameter Ø	10mm
Length	9mm
Thread Length	6mm



Errors and omissions excepted (E&OE). All information is subject to change without notice and is correct at the time of print. Refer to issue number and date below.

Tel: +44 (0)1302 342 642 • mcg.co.uk • [X@mcg_industrial](mailto:info@mcg_industrial)