

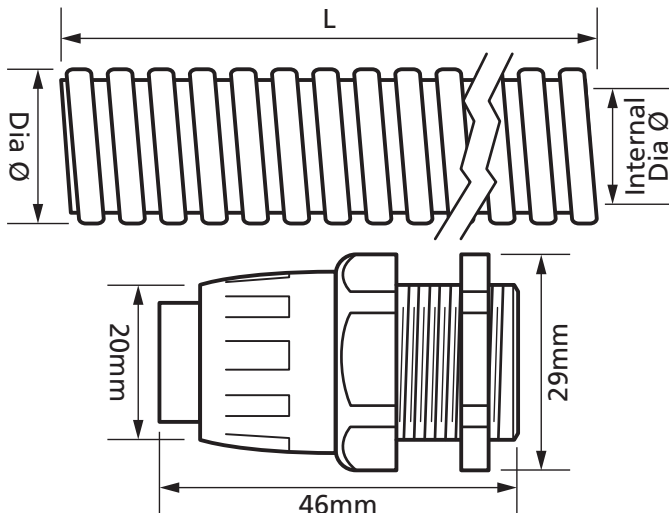
20mm PVC Spiral Conduit Contractor Pack (10m Reel and 10 Glands) Product Specification

Product Ref: **V20/10MCP-B**

Technical Features:

- Pack contains 20mm x 10m PVC flexible conduit and 10 x glands
- Constructed from high quality black PVC over a rigid PVC spiral
- Temperature range -20 to +70°C
- IP65 ingress protection
- Complies with EN 61386
- UL94 V0 Flame retardant
- Glands supplied complete with locknuts

IP Rating	IP65
Weight	1.130kg
Operating Temperature	-20 - +70°C
Flame Retardant	UL94 V0
Compression Strength	320N
Pull-off (Tensile) Strength	250N
Thread Size	20mm
Colour	Black
Bending Radius - min	35mm
Material	PVC
Compliance	UKCA, CE
Guarantee	1 Year
Standards	EN 61386
Suitable For	PVC Conduit Gland complete with Locknut
Diameter Ø	20mm
Internal Diameter Ø	16mm
Length	10m



Errors and omissions excepted (E&OE). All information is subject to change without notice and is correct at the time of print. Refer to issue number and date below.

Tel: +44 (0)1302 342 642 • mcg.co.uk • @mcg_industrial