

20mm PVC Conduit Gland complete with Locknut

Product Ref: **V20G**

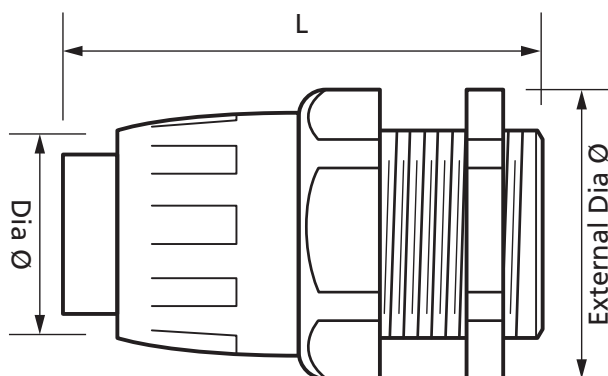
Technical Features:

- Designed to be used with PVC flexible conduit
- IP65 ingress protection
- Complies with EN 61386
- UL94 V0 Flame retardant
- Complete with locknut



Product Specification

IP Rating	IP65
Weight	0.009kg
Operating Temperature	-20 - +70°C
Flame Retardant	UL94 V0
Thread Size	20mm
Colour	Black
Material	PVC
Compliance	UKCA, CE
Guarantee	1 Year
Standards	EN 61386
Suitable For	PVC Flexible Conduit
Diameter Ø	20mm
External Diameter Ø	29mm
Length	46mm



Errors and omissions excepted (E&OE). All information is subject to change without notice and is correct at the time of print. Refer to issue number and date below.

Tel: +44 (0)1302 342 642 • mcg.co.uk • ✉@mcg_industrial