

50mm PVC Conduit Gland complete with Locknut Black

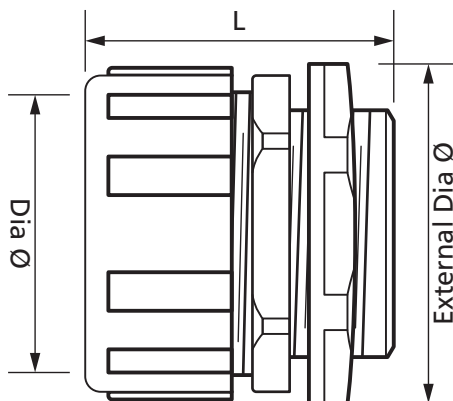
Product Ref: **V50G**

Technical Features:

- Designed to be used with PVC flexible conduit
- IP65 ingress protection
- Complies with EN 61386
- UL94 V0 Flame retardant
- Complete with locknut

Product Specification

IP Rating	IP65
Weight	0.105kg
Operating Temperature	-20 - +70°C
Flame Retardant	UL94 V0
Thread Size	50mm
Colour	Black
Material	PVC
Compliance	UKCA, CE
Guarantee	1 Year
Standards	EN 61386
Suitable For	PVC Flexible Conduit
Diameter Ø	48mm
External Diameter Ø	66mm
Length	52mm



Errors and omissions excepted (E&OE). All information is subject to change without notice and is correct at the time of print. Refer to issue number and date below.

Tel: +44 (0)1302 342 642 • mcg.co.uk • XX@mcg_industrial