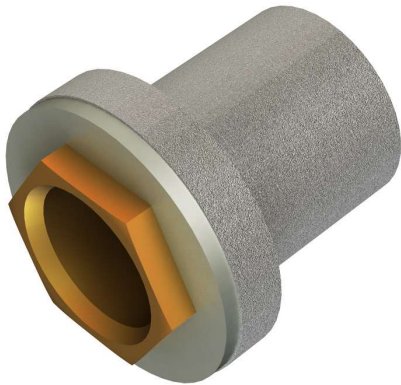


PRODUCT CODE: FCS2G
FLANGED COUPLER



DESCRIPTION

25mm Flanged Coupler

FINISH

Hot Dipped Galvanised

MATERIAL

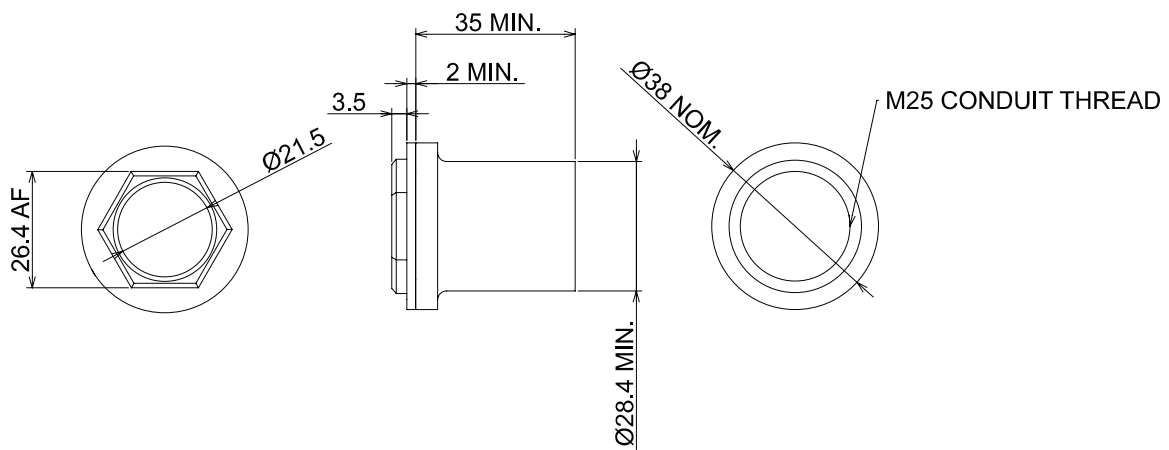
Body: Steel / Lead Washer / Brass Bush

PACKAGING

Packed in qty 25

ADDITIONAL NOTES

Conforms to BS EN61386-1
Compliant to LU Standard 1-085 (for use on surface & sub-surface locations)
Comprises; flange body, lead washer and male brass bush



Values are nominal and with a general tolerance $\pm 5\%$ unless otherwise specified