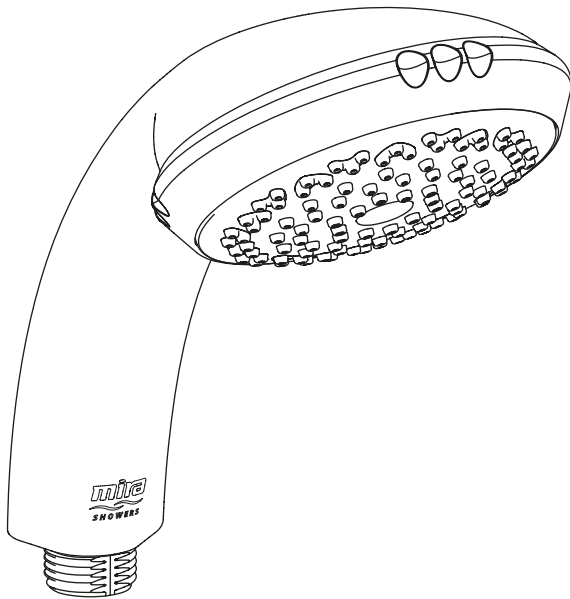


Mira Response Handset - L19A



These instructions must be left with the user

Installation & User Guide

Showering perfection

mira
SHOWERS

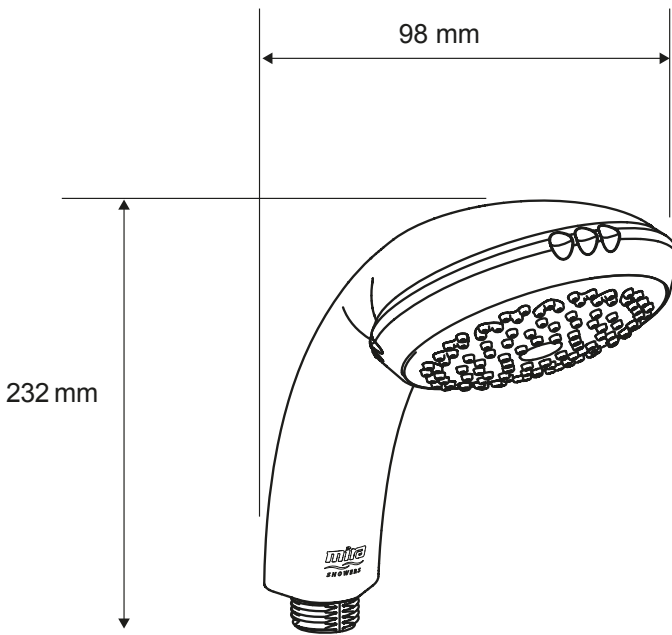
Introduction

Thank you for choosing a Mira shower. Products manufactured by Kohler Mira Ltd are designed to be safe, provided that they are installed, used and maintained in good working order, in accordance with our instructions and recommendations.

Guarantee

This product has been designed for **domestic** use only, Mira Showers guarantee this product against any defect in materials or workmanship for a period of one year from the date of purchase. For terms and conditions, refer to the website.

Dimensions

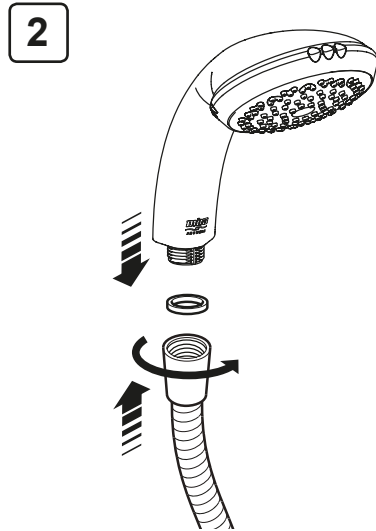
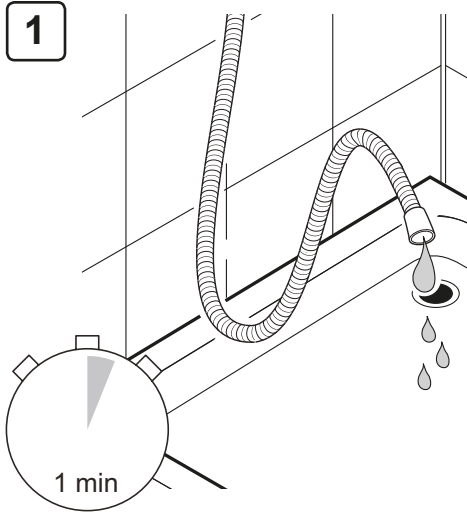


Specifications

Plumbing	
Minimum Maintained Pressure	10 kPa (0.1 Bar)
Maximum Maintained Pressure	500 kPa (5 Bar)
Hose Connection	1/2" BSP Male to Flexible Hose

Warning! Exceeding the stated maximum maintained pressure could result in excessive spray forces and possible damage to the product.

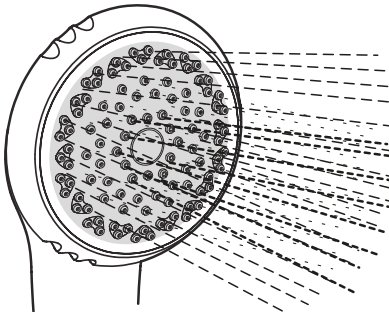
Installation



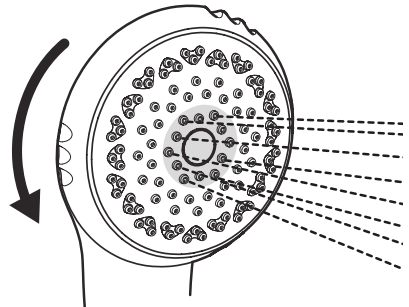
Operation

To change the mode, Turn the adjuster ring one step anti-clockwise till it clicks.

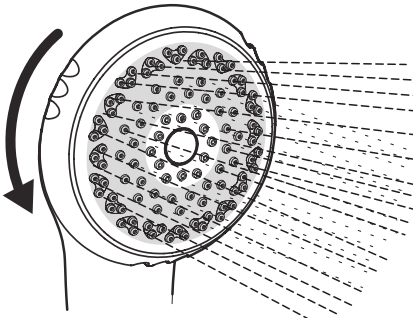
Mode 1



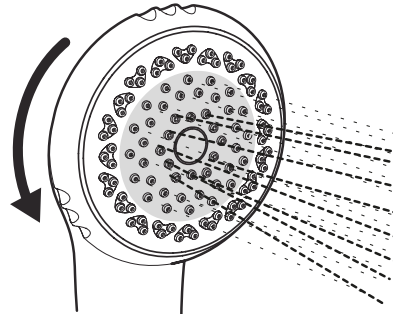
Mode 2



Mode 3



Mode 4



Maintenance

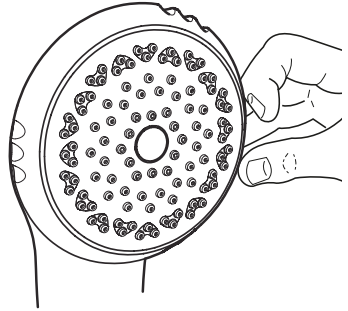
Cleaning

Many household cleaners contain abrasives and chemical substances, and should not be used for cleaning plated or plastic fittings.

These finishes should be cleaned with a mild washing up detergent or soap solution, and then wiped dry using a soft cloth.

To remove limescale, use your thumb or a soft cloth to wipe any limescale from the soft rubber nozzles and the front face of the showerhead.

Important! The sprayplate must be regularly cleaned to make sure that the showerhead does not become blocked.



To Contact Us: UK



0844 571 5000

Calls cost 7p per minute plus your phone company's access charge



www.mirashowers.co.uk - Full details of the manufacturer's guarantee is available on the website.