

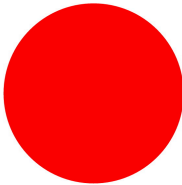


**Emergency stop/emergency switching off pushbutton, RMQ-Titan, Mushroom-shaped, 38 mm, Non-illuminated, Pull-to-release function, Red, yellow, RAL 3000**



**Part no. M22-PV**  
**Catalog No. 216876**  
**Alternate Catalog No. M22-PVQ**  
**EL-Nummer 4355321**  
**(Norway)**

**Delivery program**

|                            |   |    |                                                                                     |
|----------------------------|---|----|-------------------------------------------------------------------------------------|
| Product range              |   |    | RMQ-Titan                                                                           |
| Basic function             |   |    | Controlled stop pushbuttons/emergency-stop buttons                                  |
| Mounting hole diameter     | ∅ | mm | 22.5                                                                                |
| Single unit/Complete unit  |   |    | Single unit                                                                         |
| Design                     |   |    | Mushroom-shaped                                                                     |
| Diameter                   | ∅ | mm | 38                                                                                  |
| Illumination               |   |    | Non-illuminated                                                                     |
|                            |   |    | Pull-to-release function                                                            |
| Description                |   |    | Tamper-proof according to ISO 13850/EN 418                                          |
| <b>Colour</b>              |   |    |                                                                                     |
| Mushroom head              |   |    | Red                                                                                 |
|                            |   |    |  |
| Base                       |   |    | yellow                                                                              |
| RAL Value                  |   |    | RAL 3000                                                                            |
| Degree of Protection       |   |    | IP66, IP69                                                                          |
| Connection to SmartWire-DT |   |    | no                                                                                  |
| <b>Instructions</b>        |   |    | Max. number of contacts: four M22-(C)K01, ...10 or two M22-(C)K02, ...20, ...11     |

**Technical data**

**General**

|                             |              |                   |                                                                                |
|-----------------------------|--------------|-------------------|--------------------------------------------------------------------------------|
| Standards                   |              |                   | IEC/EN 60947<br>VDE 0660                                                       |
| Lifespan, mechanical        | Operations   | x 10 <sup>6</sup> | > 0.1                                                                          |
| Operating frequency         | Operations/h |                   | ≤ 600                                                                          |
| Actuating force             | n            |                   | ≤ 50                                                                           |
| Climatic proofing           |              |                   | Damp heat, constant, to IEC 60068-2-78<br>Damp heat, cyclic, to IEC 60068-2-30 |
| Degree of Protection        |              |                   | IP66, IP69                                                                     |
| Ambient temperature         |              |                   |                                                                                |
| Open                        |              | °C                | -25 - +70                                                                      |
| Mounting position           |              |                   | As required                                                                    |
| Mechanical shock resistance |              | g                 | 50<br>Shock duration 11 ms<br>Sinusoidal<br>according to IEC 60068-2-27        |
| shipping classification     |              |                   | DNV<br>GL<br>LR                                                                |



## Design verification as per IEC/EN 61439

| Technical data for design verification                                                                                 |            |    |                                                                                                          |
|------------------------------------------------------------------------------------------------------------------------|------------|----|----------------------------------------------------------------------------------------------------------|
| Rated operational current for specified heat dissipation                                                               | $I_n$      | A  | 0                                                                                                        |
| Heat dissipation per pole, current-dependent                                                                           | $P_{vid}$  | W  | 0                                                                                                        |
| Equipment heat dissipation, current-dependent                                                                          | $P_{vid}$  | W  | 0                                                                                                        |
| Static heat dissipation, non-current-dependent                                                                         | $P_{vs}$   | W  | 0                                                                                                        |
| Heat dissipation capacity                                                                                              | $P_{diss}$ | W  | 0                                                                                                        |
| Operating ambient temperature min.                                                                                     |            | °C | -25                                                                                                      |
| Operating ambient temperature max.                                                                                     |            | °C | 70                                                                                                       |
| IEC/EN 61439 design verification                                                                                       |            |    |                                                                                                          |
| 10.2 Strength of materials and parts                                                                                   |            |    |                                                                                                          |
| 10.2.2 Corrosion resistance                                                                                            |            |    | Meets the product standard's requirements.                                                               |
| 10.2.3.1 Verification of thermal stability of enclosures                                                               |            |    | Meets the product standard's requirements.                                                               |
| 10.2.3.2 Verification of resistance of insulating materials to normal heat                                             |            |    | Meets the product standard's requirements.                                                               |
| 10.2.3.3 Verification of resistance of insulating materials to abnormal heat and fire due to internal electric effects |            |    | Meets the product standard's requirements.                                                               |
| 10.2.4 Resistance to ultra-violet (UV) radiation                                                                       |            |    | Please enquire                                                                                           |
| 10.2.5 Lifting                                                                                                         |            |    | Does not apply, since the entire switchgear needs to be evaluated.                                       |
| 10.2.6 Mechanical impact                                                                                               |            |    | Does not apply, since the entire switchgear needs to be evaluated.                                       |
| 10.2.7 Inscriptions                                                                                                    |            |    | Meets the product standard's requirements.                                                               |
| 10.3 Degree of protection of ASSEMBLIES                                                                                |            |    | Does not apply, since the entire switchgear needs to be evaluated.                                       |
| 10.4 Clearances and creepage distances                                                                                 |            |    | Meets the product standard's requirements.                                                               |
| 10.5 Protection against electric shock                                                                                 |            |    | Does not apply, since the entire switchgear needs to be evaluated.                                       |
| 10.6 Incorporation of switching devices and components                                                                 |            |    | Does not apply, since the entire switchgear needs to be evaluated.                                       |
| 10.7 Internal electrical circuits and connections                                                                      |            |    | Is the panel builder's responsibility.                                                                   |
| 10.8 Connections for external conductors                                                                               |            |    | Is the panel builder's responsibility.                                                                   |
| 10.9 Insulation properties                                                                                             |            |    |                                                                                                          |
| 10.9.2 Power-frequency electric strength                                                                               |            |    | Is the panel builder's responsibility.                                                                   |
| 10.9.3 Impulse withstand voltage                                                                                       |            |    | Is the panel builder's responsibility.                                                                   |
| 10.9.4 Testing of enclosures made of insulating material                                                               |            |    | Is the panel builder's responsibility.                                                                   |
| 10.10 Temperature rise                                                                                                 |            |    | Not applicable.                                                                                          |
| 10.11 Short-circuit rating                                                                                             |            |    | Is the panel builder's responsibility. The specifications for the switchgear must be observed.           |
| 10.12 Electromagnetic compatibility                                                                                    |            |    | Is the panel builder's responsibility. The specifications for the switchgear must be observed.           |
| 10.13 Mechanical function                                                                                              |            |    | The device meets the requirements, provided the information in the instruction leaflet (IL) is observed. |

## Technical data ETIM 7.0

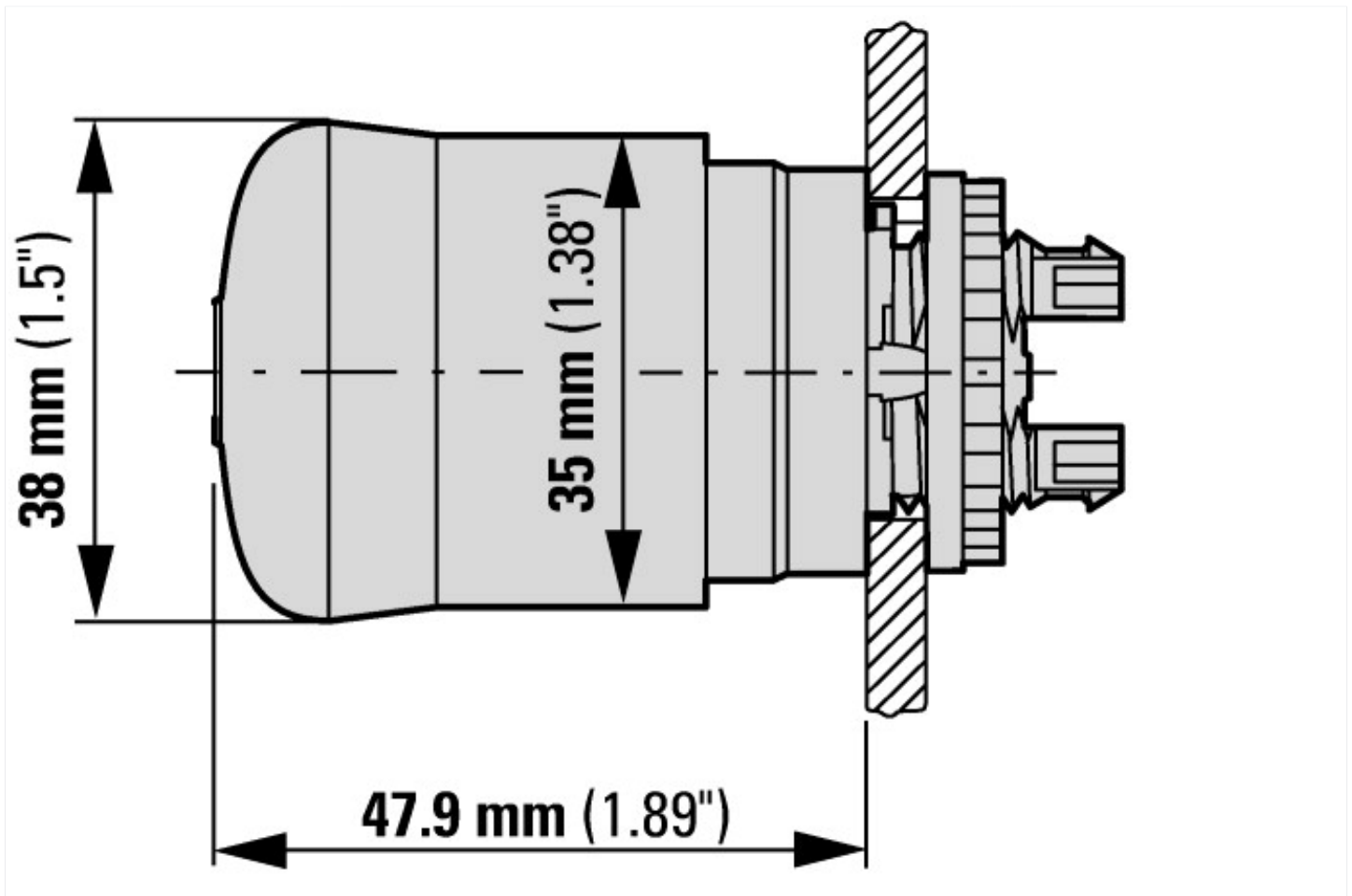
| Low-voltage industrial components (EG000017) / Front element for mushroom push-button (EC001038)                                                                                                                   |  |    |       |
|--------------------------------------------------------------------------------------------------------------------------------------------------------------------------------------------------------------------|--|----|-------|
| Electric engineering, automation, process control engineering / Low-voltage switch technology / Command and alarm device / Front element for mushroom push-button actuators (ecl@ss10.0.1-27-37-12-12 [AKF030014]) |  |    |       |
| Colour button                                                                                                                                                                                                      |  |    | Red   |
| Construction type lens                                                                                                                                                                                             |  |    | Round |
| Diameter cap                                                                                                                                                                                                       |  | mm | 38    |
| Hole diameter                                                                                                                                                                                                      |  | mm | 22.5  |
| Width opening                                                                                                                                                                                                      |  | mm | 0     |
| Height opening                                                                                                                                                                                                     |  | mm | 0     |

|                             |  |              |
|-----------------------------|--|--------------|
| Degree of protection (IP)   |  | IP66         |
| Degree of protection (NEMA) |  | 4X           |
| Type of button              |  | Flat         |
| Suitable for illumination   |  | No           |
| Switching function latching |  | Yes          |
| Spring-return               |  | No           |
| With front ring             |  | No           |
| Material front ring         |  | Other        |
| Colour front ring           |  | Other        |
| Suitable for emergency stop |  | Yes          |
| Unlocking method            |  | Pull-release |

## Approvals

|                             |  |                                                                              |
|-----------------------------|--|------------------------------------------------------------------------------|
| Product Standards           |  | IEC/EN 60947-5; UL 508; CSA-C22.2 No. 14-05; CSA-C22.2 No. 94-91; CE marking |
| UL File No.                 |  | E29184                                                                       |
| UL Category Control No.     |  | NKCR                                                                         |
| CSA File No.                |  | 012528                                                                       |
| CSA Class No.               |  | 3211-03                                                                      |
| North America Certification |  | UL listed, CSA certified                                                     |
| Degree of Protection        |  | UL/CSA Type 3R, 4X, 12, 13                                                   |

## Dimensions



## Additional product information (links)

|                                     |                                                                                                                                                                                                                                             |
|-------------------------------------|---------------------------------------------------------------------------------------------------------------------------------------------------------------------------------------------------------------------------------------------|
| DGUV Test Mark Customer Information | <a href="http://www.dguv.de/medien/dguv-test-medien/_pdf_zip_doc_ppt/agn-und-pzo/dguv_test_zeichen_infoblatt_kunden.pdf">http://www.dguv.de/medien/dguv-test-medien/_pdf_zip_doc_ppt/agn-und-pzo/dguv_test_zeichen_infoblatt_kunden.pdf</a> |
|-------------------------------------|---------------------------------------------------------------------------------------------------------------------------------------------------------------------------------------------------------------------------------------------|