

DTRD4030A

NHP DIN-T Residual Current Breaker RCBO 10kA 1 Pole and Switched Neutral 40A C Curve 30mA Type A



| | |
|-----------------------|-------------------------------|
| Component type | Earth leakage circuit breaker |
| Range | DIN-T RCD |
| Model | N/A |
| Product status | Existing |

NHP's DIN-T range of residual current devices (RCDs) are a high-performance electrical safety solution designed for commercial, industrial and mining applications. These RCDs offer a high level of selectivity, with sensitives including 10mA, 30mA, 100mA and 300mA, and types starting at Type A for general purpose applications through to Type F and B for more complex loads.

| | |
|--|--------------|
| Rated current | 40 A |
| Rated voltage | 240 V |
| Rated leakage current | 30 mA |
| Frequency | 50/60 Hz |
| Rated short-circuit breaking capacity according to AS/NZS 61009 | 10 kA |
| Voltage type | AC |
| Trip curve | C |
| Rated impulse withstand voltage Uimp | 4 kV |
| Leakage current type | A |
| Tripping time | 300 ms |
| Min. service voltage | 110 V |
| Max. operating voltage (Umax) | 264 V |
| Rated residual make/break capacity | 4500 A |
| Protected neutral pole | No |
| Number of poles (total) | 2 |
| Electrical life at Un, In (service cycles) | 10000 cycles |
| Type of electric connection | Fork and pin |
| Isolator application | Yes |
| Rated insulation voltage Ui | 500 V |
| Concurrently switching neutral conductor | Yes |
| Mounting method | DIN rail |
| IP rating | IP40 |
| Number of protected poles | 1 |
| Mechanical life (service cycles) | 20000 cycles |
| Disconnection characteristic | Undelayed |

ELECTRICAL

CONSTRUCTION

MECHANICAL

DTRD4030A

NHP DIN-T Residual Current Breaker RCBO 10kA 1 Pole and Switched Neutral 40A C Curve 30mA Type A



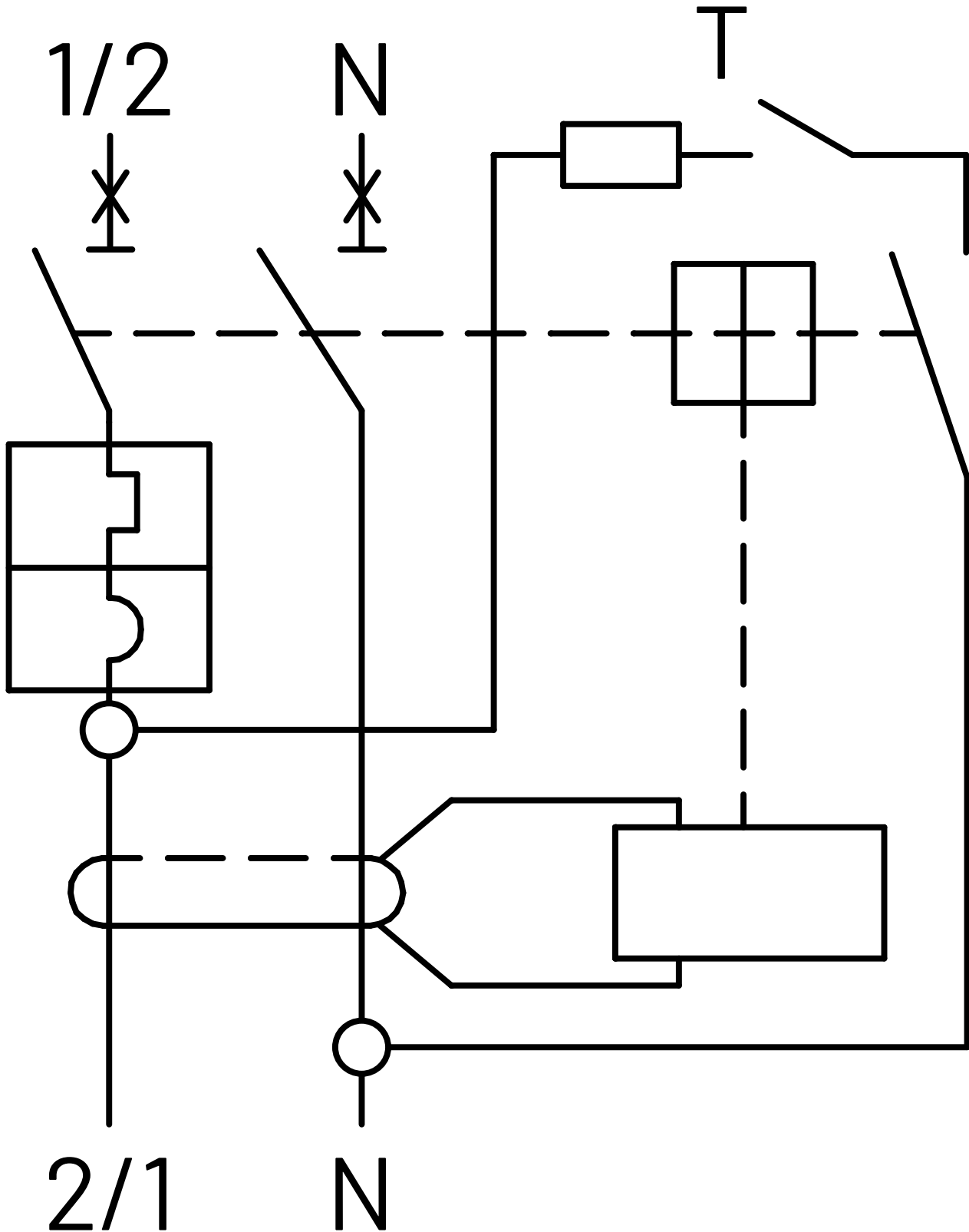
| | | |
|--------------------|---|----------------------|
| MECHANICAL | Connectable conductor cross section solid-core | 1-35 mm ² |
| | Connectable conductor cross section multi-wired | 1-35 mm ² |
| | Max. shock duration | 13 ms |
| | Max. shock acceleration | 25 g |
| | Max. vibration frequency, operational | 150 Hz |
| DIMENSIONS | Depth | 75 mm |
| | Height | 85 mm |
| | Width | 35 mm |
| | Weight | 0.2 kg |
| | Width in number of modular spacings | 2 |
| ENVIRONMENT | Operating temperature | -25...70 °C |

DTRD4030A

NHP DIN-T Residual Current Breaker RCBO 10kA 1 Pole and Switched Neutral 40A C Curve 30mA Type A



CIRCUIT DIAGRAM

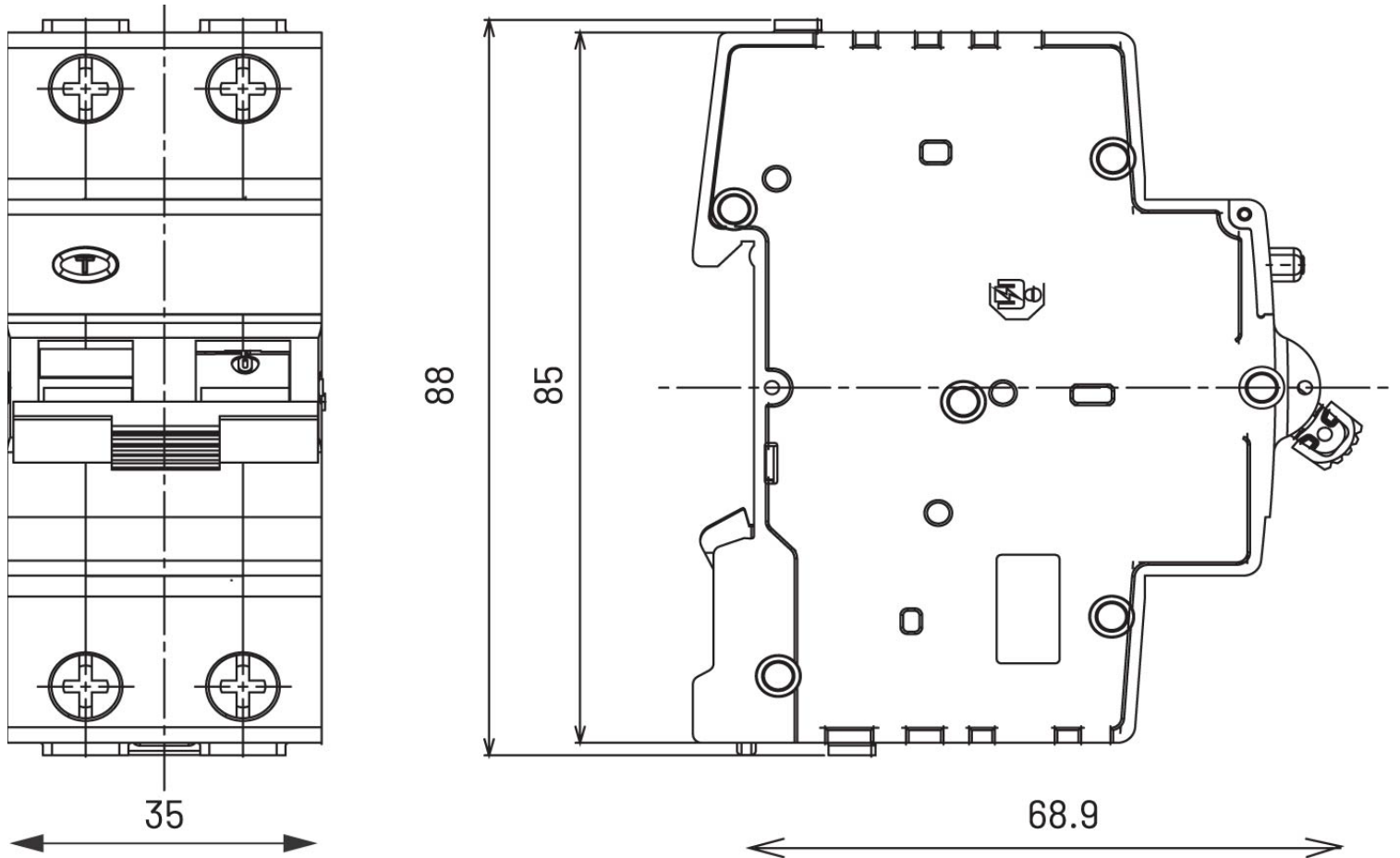


DTRD4030A

NHP DIN-T Residual Current Breaker RCBO 10kA 1 Pole and Switched Neutral 40A C Curve 30mA Type A



DIMENSIONAL DIAGRAM

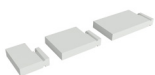


RELATED PRODUCTS

ACCESSORY



Item No: DTAAXAL
Required: No
Description: NHP DIN-T Accessory Auxiliary/ Alarm 1 Changeover Contact suits DIN-T DTM and DTR



Item No: DTALBAX
Required: No
Description: NHP DIN-T LOCKDIN Auxiliary Filler 9mm, 18mm, 27mm Pack Qty 10 each



Item No: DTALDC
Required: No
Description: NHP DIN-T Lock Toggle Device 1P/2P MCB



Item No: DTALDTRD
Required: No
Description: NHP DIN-T LOCKDIN RCBO 2P DTRD



Item No: DTALPF
Required: No
Description: NHP DIN-T Accessory Pole Filler to suit 63mm 3P Strip 54mm 6x9mm Segments



Item No: DTASHT110415V
Required: No
Description: NHP DIN-T Accessory Shunt Trip 110-415 V AC/DC suits DIN-T DTM and DTR

DTRD4030A

NHP DIN-T Residual Current Breaker RCBO 10kA 1 Pole and Switched Neutral 40A C Curve 30mA Type A



RELATED PRODUCTS

ACCESSORY



Item No: DTASHT12110V

Required: No

Description: NHP DIN-T Accessory Shunt Trip 12-110 V AC/DC suits DIN-T DTM and DTR



Item No: DTAUVT240V

Required: No

Description: NHP DIN-T Accessory Undervoltage Trip 240 V AC/DC suits DIN-T DTM and DTR



Item No: DTAUVT24V

Required: No

Description: NHP DIN-T Accessory Undervoltage Trip 24 V AC/DC suits DIN-T DTM and DTR



Item No: DTL D

Required: No

Description: NHP DIN-T LOCKDIN Locking Device Removable Individual Piece 8mm



Item No: DTPF12

Required: No

Description: NHP DIN-T Accessory Pole Filler 12Pole Strip 216mm equals 24 x 9mm Segments



Item No: DTT9025PN

Required: No

Description: NHP DIN-T Miniature Circuit Breaker Terminal Insulated 90 Degrees 25mm Pin



Item No: DTTAX25PN

Required: No

Description: NHP DIN-T Accessory Terminal Axial Pin 25mm



Item No: DTTAX25SP

Required: No

Description: NHP DIN-T Accessory Terminal Axial Spade 25mm



Item No: DTTAX50PN

Required: No

Description: NHP DIN-T Accessory Terminal Axial Pin 50mm



Item No: DTTTLT25PN2

Required: No

Description: NHP DIN-T Miniature Circuit Breaker Terminal Axial Pin 25mm Long Insulated



Item No: DTTTLT35LPN

Required: No

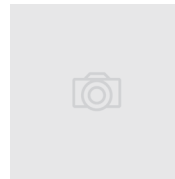
Description: NHP DIN-T Accessory Terminal Lateral Pin 35mm Long



Item No: DTTTLT35PN

Required: No

Description: NHP DIN-T Accessory Terminal Lateral Pin 35mm Short



Item No: ICL102

Required: No

Description: NHP DIN-T Miniature Circuit Breaker Bus Comb 10 Way 1Pole N Pin Type 80A End Feed 130A Centre Feed



Item No: ICL562

Required: No

Description: NHP DIN-T Miniature Circuit Breaker Bus Comb 56 Way 1Pole N Pin Type 80A End Feed 130A Centre Feed



Item No: ICL62

Required: No

Description: NHP DIN-T Miniature Circuit Breaker Bus Comb 06 Way 1Pole N Pin Type 80A End Feed 130A Centre Feed



Item No: ICLEC23

Required: No

Description: NHP DIN-T Miniature Circuit Breaker Busbar Comb Endcap for 2 and 3Pole ICL and 3 Auxiliary



Item No: ICLTOC

Required: No

Description: NHP DIN-T Miniature Circuit Breaker Busbar Comb Tee Off Cap Strip of 5