

DTRT2030A

NHP DIN-T Residual Current Breaker RCBO 10kA 3 Pole and Neutral 20A C Curve 30mA Type A (Longbody)



Component type	Earth leakage circuit breaker
Range	DIN-T RCD
Model	N/A
Product status	New Item

NHP's DIN-T range of residual current devices (RCDs) are a high-performance electrical safety solution designed for commercial, industrial and mining applications. These RCDs offer a high level of selectivity, with sensitivities including 10mA, 30mA, 100mA and 300mA, and types starting at Type A for general purpose applications through to Type F and B for more complex loads.

ELECTRICAL

Rated current	20 A
Rated voltage	415 V
Rated leakage current	30 mA
Frequency	50/60 Hz
Rated short-circuit breaking capacity according to AS/NZS 61009	10 kA
Voltage type	AC
Trip curve	C
Rated impulse withstand voltage Uimp	4 kV
Leakage current type	A
Tripping time	300 ms
Min. service voltage	207 V
Max. operating voltage (Umax)	457 V
Rated residual make/break capacity	6000 A
Protected neutral pole	No
Number of poles (total)	4
Electrical life at Un, In (service cycles)	10000 cycles
Type of electric connection	Fork and pin
Isolator application	Yes
Rated insulation voltage Ui	500 V
Concurrently switching neutral conductor	No

CONSTRUCTION

Mounting method	DIN rail
IP rating	IP40
Number of protected poles	3
Mechanical life (service cycles)	20000 cycles
Disconnection characteristic	Undelayed

MECHANICAL

DTRT2030A

NHP DIN-T Residual Current Breaker RCBO 10kA 3 Pole and Neutral 20A C Curve 30mA Type A (Longbody)



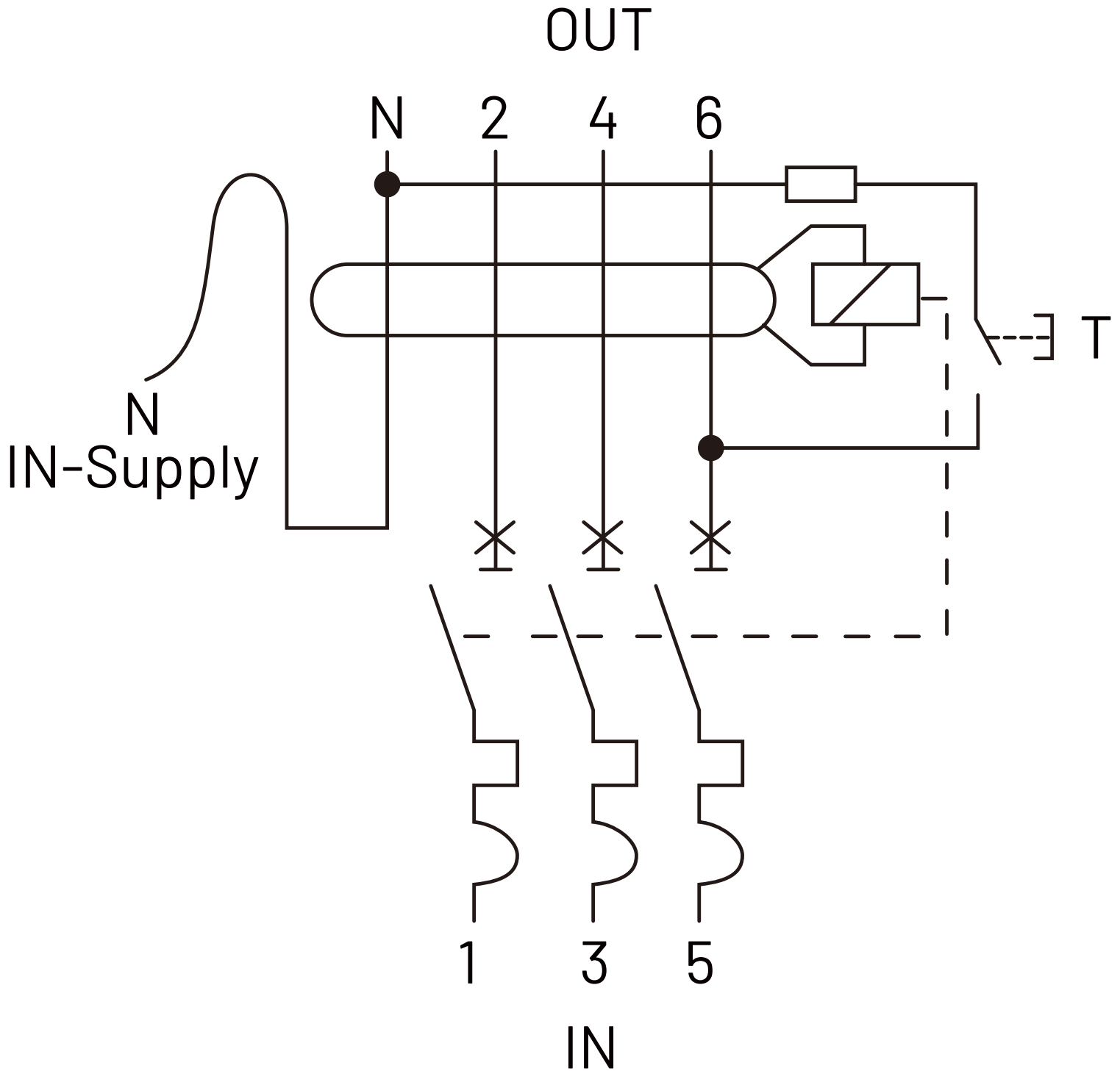
MECHANICAL	Connectable conductor cross section solid-core	1-25 mm ²
	Connectable conductor cross section multi-wired	1-16 mm ²
DIMENSIONS	Depth	77.1 mm
	Height	117.5 mm
	Width	54 mm
	Weight	0.55 kg
	Width in number of modular spacings	3
ENVIRONMENT	Operating temperature	-5...55 °C

DTRT2030A

NHP DIN-T Residual Current Breaker RCBO 10kA 3 Pole and Neutral 20A C Curve 30mA Type A (Longbody)



CIRCUIT DIAGRAM

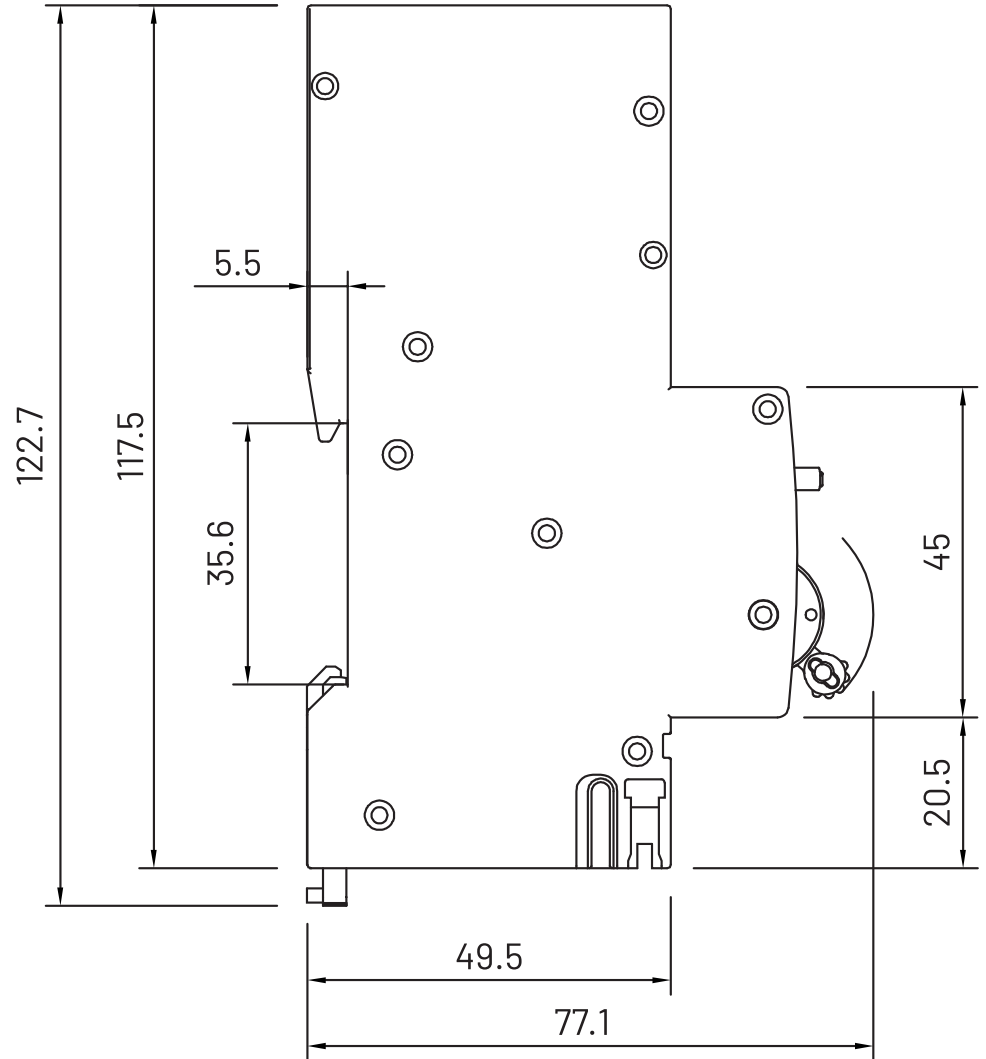
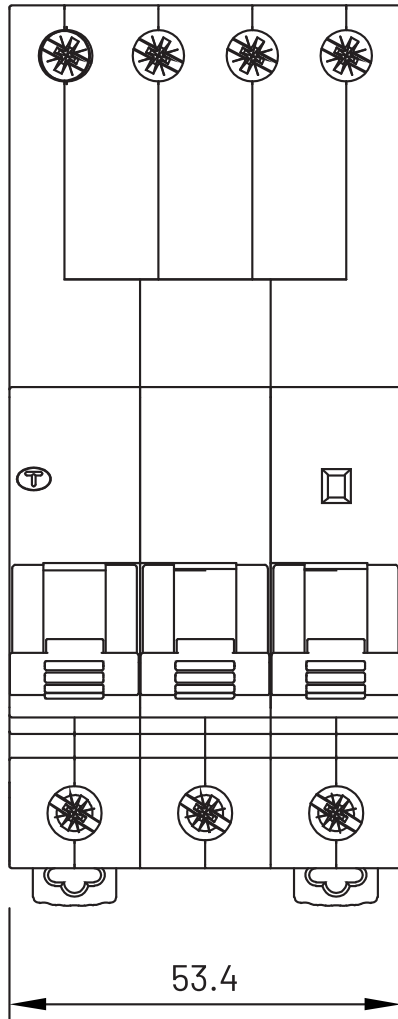


DTRT2030A

NHP DIN-T Residual Current Breaker RCBO 10kA 3 Pole and Neutral 20A C Curve 30mA Type A (Longbody)



DIMENSIONAL DIAGRAM



DTRT2030A

NHP DIN-T Residual Current Breaker RCBO 10kA 3 Pole and Neutral 20A C Curve 30mA Type A (Longbody)



RELATED PRODUCTS

ACCESSORY



Item No: DCLD6

Required: No

Description: NHP DIN-T Accessory Locking Device Captive 6.5mm



Item No: DTALDTRT

Required: No

Description: NHP DIN-T LOCKDIN RCBO Kit for DTRT, DTRTN, DTRTNN 3P, 3P+N



Item No: DTALPF

Required: No

Description: NHP DIN-T Accessory Pole Filler to suit 63mm 3P Strip 54mm 6x9mm Segments



Item No: DTLT

Required: No

Description: NHP DIN-T LOCKDIN Locking Device Removable Individual Piece 8mm



Item No: DTPF12

Required: No

Description: NHP DIN-T Accessory Pole Filler 12Pole Strip 216mm equals 24 x 9mm Segments



Item No: DTT9025PN

Required: No

Description: NHP DIN-T Miniature Circuit Breaker Terminal Insulated 90 Degrees 25mm Pin



Item No: DTTAX25PN

Required: No

Description: NHP DIN-T Accessory Terminal Axial Pin 25mm



Item No: DTTAX25SP

Required: No

Description: NHP DIN-T Accessory Terminal Axial Spade 25mm



Item No: DTTAX50PN

Required: No

Description: NHP DIN-T Accessory Terminal Axial Pin 50mm



Item No: DTTLT25PN2

Required: No

Description: NHP DIN-T Miniature Circuit Breaker Terminal Axial Pin 25mm Long Insulated



Item No: DTTLT35LPN

Required: No

Description: NHP DIN-T Accessory Terminal Lateral Pin 35mm Long



Item No: DTTLT35PN

Required: No

Description: NHP DIN-T Accessory Terminal Lateral Pin 35mm Short



Item No: ICL123

Required: No

Description: NHP DIN-T Miniature Circuit Breaker Busbar Comb 12 Way 3Pole Pin Type 80A End Feed 130A Centre Feed



Item No: ICL153

Required: No

Description: NHP DIN-T Miniature Circuit Breaker Busbar Comb 15 Way 3Pole Pin Type 80A End Feed 130A Centre Feed



Item No: ICL183

Required: No

Description: NHP DIN-T Miniature Circuit Breaker Busbar Comb 18 Way 3Pole Pin Type 80A End Feed 130A Centre Feed



Item No: ICL213

Required: No

Description: NHP DIN-T Miniature Circuit Breaker Busbar Comb 21 Way 3Pole Pin Type 80A End Feed 130A Centre Feed



Item No: ICL573

Required: No

Description: NHP DIN-T Miniature Circuit Breaker Busbar Comb 57 Way 3Pole Pin Type 80A End Feed 130A Centre Feed



Item No: ICL573F

Required: No

Description: NHP DIN-T Miniature Circuit Breaker Busbar Comb 57 Way 3Pole Fork Type 120A End Feed 130A Centre Feed

DTRT2030A

NHP DIN-T Residual Current Breaker RCBO 10kA 3 Pole and Neutral 20A C Curve 30mA Type A (Longbody)



RELATED PRODUCTS

ACCESSORY



Item No: ICLEC23

Required: No

Description: NHP DIN-T Miniature Circuit Breaker Busbar Comb Endcap for 2 and 3 Pole ICL and 3 Auxiliary



Item No: ICLTOC

Required: No

Description: NHP DIN-T Miniature Circuit Breaker Busbar Comb Tee Off Cap Strip of 5