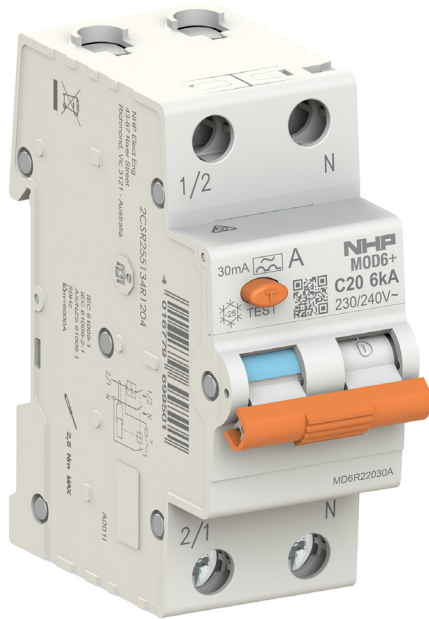


# MD6R21030A

NHP MOD6+ RCBO 6kA 1 Pole and Switched N 10A C Curve  
30mA Type A



<b>Component type</b>	Earth leakage circuit breaker
<b>Range</b>	MOD6+ Residual Current Devices
<b>Model</b>	N/A
<b>Product status</b>	New Item

NHP MOD6+ Residual Current Devices (RCDs) offer a 6kA rating with a proven history in domestic and commercial applications. The MOD6+ RCD range offers many solutions for both 1 phase in 10mA and 30mA sensitivities as well as 3 phase in 30mA sensitivities. The MOD6+ RCDs can be easily installed into NHP Loadcenters, as well as MOD6+ RCBOs into MOD6+ Distribution Panelboards.

<b>Rated current</b>	10 A
<b>Rated voltage</b>	240 V
<b>Rated leakage current</b>	30 mA
<b>Frequency</b>	50/60 Hz
<b>Rated short-circuit breaking capacity according to AS/NZS 61009</b>	6 kA
<b>Voltage type</b>	AC
<b>Trip curve</b>	C
<b>Rated impulse withstand voltage Uimp</b>	4 kV
<b>Leakage current type</b>	A
<b>Tripping time</b>	300 ms
<b>Min. service voltage</b>	170 V
<b>Max. operating voltage (Umax)</b>	255 V
<b>Rated residual make/break capacity</b>	3000 A
<b>Protected neutral pole</b>	No
<b>Number of poles (total)</b>	2
<b>Electrical life at Un, In (service cycles)</b>	10000 cycles
<b>Type of electric connection</b>	Pin
<b>Isolator application</b>	Yes
<b>Rated insulation voltage Ui</b>	500 V
<b>Concurrently switching neutral conductor</b>	Yes
<b>Mounting method</b>	DIN rail
<b>Degree of protection (IP)</b>	IP40
<b>Number of protected poles</b>	1
<b>Mechanical life (service cycles)</b>	20000 cycles
<b>Disconnection characteristic</b>	Undelayed

## ELECTRICAL

## CONSTRUCTION

## MECHANICAL

# MD6R21030A

NHP MOD6+ RCBO 6kA 1 Pole and Switched N 10A C Curve  
30mA Type A



**MOD6+**<sup>™</sup>  
RESIDUAL CURRENT DEVICES

<b>MECHANICAL</b>	Connectable conductor cross section solid-core	1-35 mm <sup>2</sup>
	Connectable conductor cross section multi-wired	1-35 mm <sup>2</sup>
	Max. shock duration	13 ms
	Max. shock acceleration	25 g
<b>DIMENSIONS</b>	Depth	75 mm
	Height	85 mm
	Width	35 mm
	Weight	0.2 kg
	Width in number of modular spacings	2
<b>ENVIRONMENT</b>	Operating temperature	-25...55 °C
	Pollution degree	2

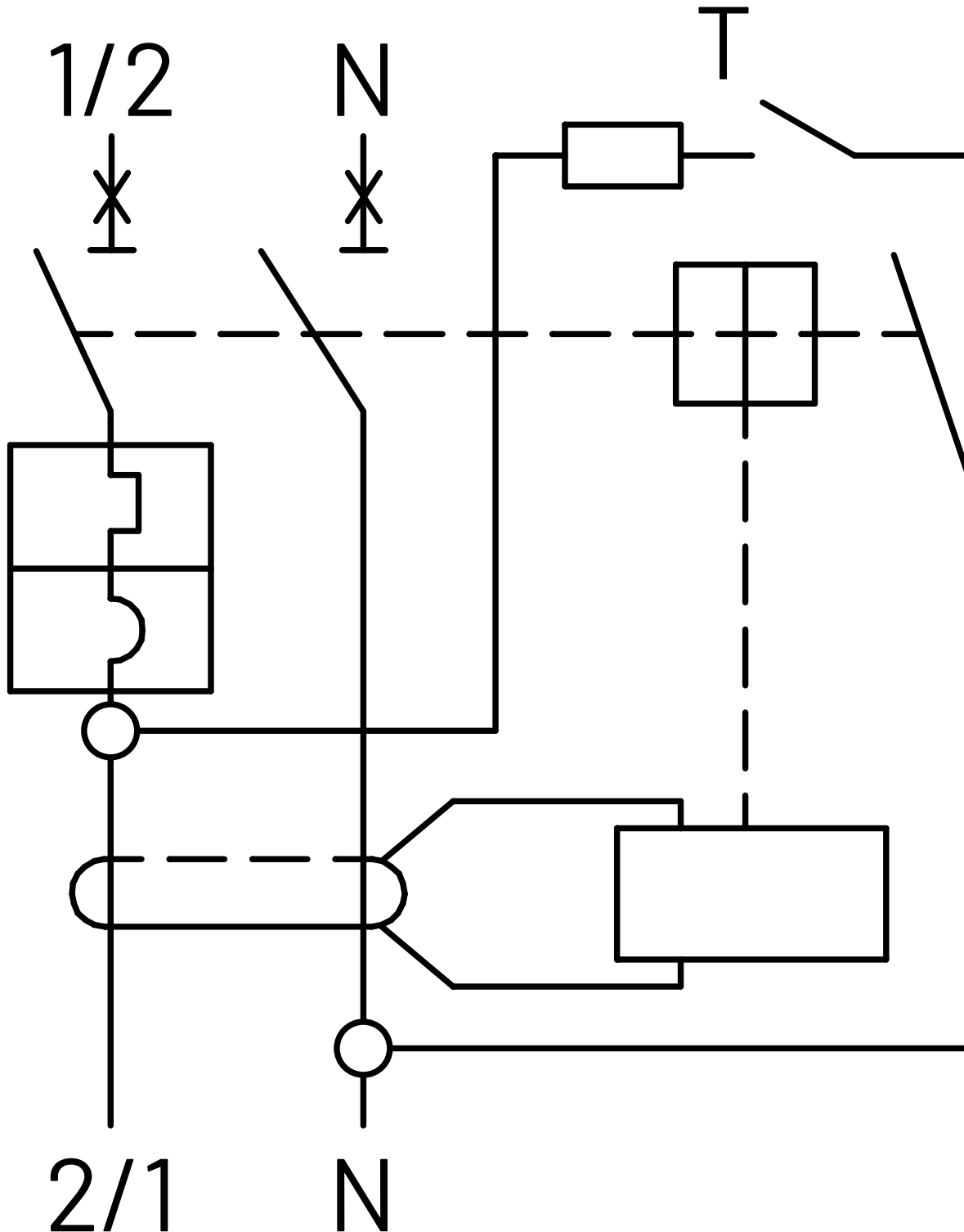
# MD6R21030A

NHP MOD6+ RCBO 6kA 1 Pole and Switched N 10A C Curve  
30mA Type A



**MOD6+**  
RESIDUAL CURRENT DEVICES

## CIRCUIT DIAGRAM



# MD6R21030A

NHP MOD6+ RCBO 6kA 1 Pole and Switched N 10A C Curve  
30mA Type A



## DIMENSIONAL DIAGRAM

