

MD6R24030A

NHP MOD6+ RCBO 6kA 1 Pole and Switched N 40A C Curve
30mA Type A



| | |
|-----------------------|--------------------------------|
| Component type | Earth leakage circuit breaker |
| Range | MOD6+ Residual Current Devices |
| Model | N/A |
| Product status | New Item |

NHP MOD6+ Residual Current Devices (RCDs) offer a 6kA rating with a proven history in domestic and commercial applications. The MOD6+ RCD range offers many solutions for both 1 phase in 10mA and 30mA sensitivities as well as 3 phase in 30mA sensitivities. The MOD6+ RCDs can be easily installed into NHP Loadcenters, as well as MOD6+ RCBOs into MOD6+ Distribution Panelboards.

| | |
|--|--------------|
| Rated current | 40 A |
| Rated voltage | 240 V |
| Rated leakage current | 30 mA |
| Frequency | 50/60 Hz |
| Rated short-circuit breaking capacity according to AS/NZS 61009 | 6 kA |
| Voltage type | AC |
| Trip curve | C |
| Rated impulse withstand voltage Uimp | 4 kV |
| Leakage current type | A |
| Tripping time | 300 ms |
| Min. service voltage | 170 V |
| Max. operating voltage (Umax) | 255 V |
| Rated residual make/break capacity | 3000 A |
| Protected neutral pole | No |
| Number of poles (total) | 2 |
| Electrical life at Un, In (service cycles) | 10000 cycles |
| Type of electric connection | Pin |
| Isolator application | Yes |
| Rated insulation voltage Ui | 500 V |
| Concurrently switching neutral conductor | Yes |
| Mounting method | DIN rail |
| Degree of protection (IP) | IP40 |
| Number of protected poles | 1 |
| Mechanical life (service cycles) | 20000 cycles |
| Disconnection characteristic | Undelayed |

ELECTRICAL

CONSTRUCTION

MECHANICAL

MD6R24030A

NHP MOD6+ RCBO 6kA 1 Pole and Switched N 40A C Curve
30mA Type A



MOD6+[™]
RESIDUAL CURRENT DEVICES

| | | |
|--------------------|---|----------------------|
| MECHANICAL | Connectable conductor cross section solid-core | 1-35 mm ² |
| | Connectable conductor cross section multi-wired | 1-35 mm ² |
| | Max. shock duration | 13 ms |
| | Max. shock acceleration | 25 g |
| DIMENSIONS | Depth | 75 mm |
| | Height | 85 mm |
| | Width | 35 mm |
| | Weight | 0.2 kg |
| | Width in number of modular spacings | 2 |
| ENVIRONMENT | Operating temperature | -25...55 °C |
| | Pollution degree | 2 |

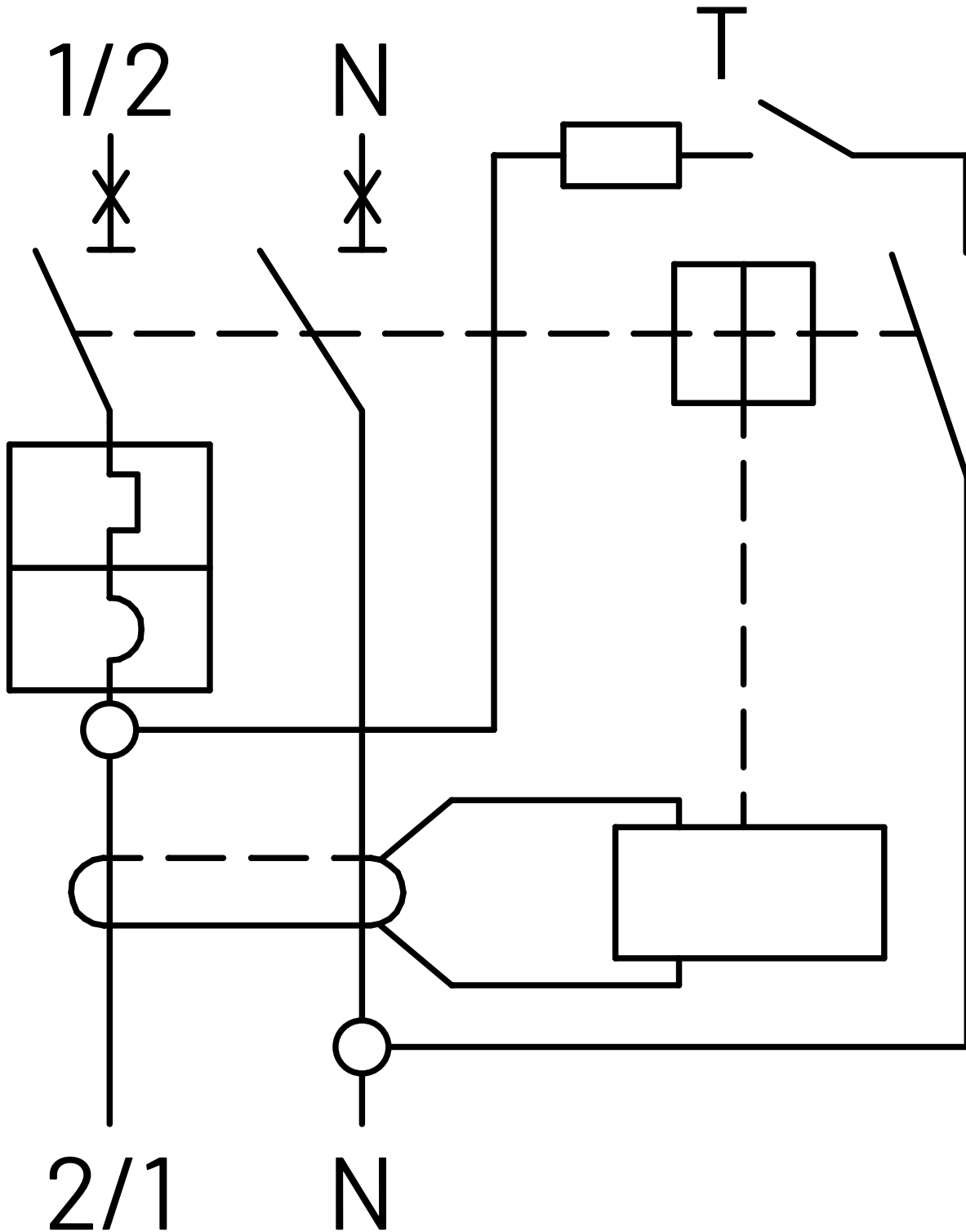
MD6R24030A

NHP MOD6+ RCBO 6kA 1 Pole and Switched N 40A C Curve
30mA Type A



MOD6+[™]
RESIDUAL CURRENT DEVICES

CIRCUIT DIAGRAM



MD6R24030A

NHP MOD6+ RCBO 6kA 1 Pole and Switched N 40A C Curve
30mA Type A



DIMENSIONAL DIAGRAM

