

# MD6R40630A

NHP MOD6+ RCBO 6kA 3 Pole and Switched N 06A C Curve  
30mA Type A



<b>Component type</b>	Earth leakage circuit breaker
<b>Range</b>	MOD6+ Residual Current Devices
<b>Model</b>	N/A
<b>Product status</b>	Existing

NHP MOD6+ Residual Current Devices (RCDs) offer a 6kA rating with a proven history in domestic and commercial applications. The MOD6+ RCD range offers many solutions for both 1 phase in 10mA and 30mA sensitivities as well as 3 phase in 30mA sensitivities. The MOD6+ RCDs can be easily installed into NHP Loadcenters, as well as MOD6+ RCBOs into MOD6+ Distribution Panelboards.

## ELECTRICAL

Rated current	6 A
Rated voltage	415 V
Rated leakage current	30 mA
Frequency	50/60 Hz
Rated short-circuit breaking capacity according to AS/NZS 61009	6 kA
Voltage type	AC
Trip curve	C
Rated impulse withstand voltage Uimp	4 kV
Leakage current type	A
Tripping time	300 ms
Min. service voltage	195 V
Max. operating voltage (Umax)	440 V
Rated residual make/break capacity	4500 A
Protected neutral pole	No
Number of poles (total)	4
Electrical life at Un, In (service cycles)	10000 cycles
Type of electric connection	Pin
Isolator application	Yes
Rated insulation voltage Ui	500 V
Concurrently switching neutral conductor	Yes

## CONSTRUCTION

Mounting method	DIN rail
IP rating	IP40
Number of protected poles	3
Mechanical life (service cycles)	20000 cycles
Disconnection characteristic	Undelayed

## MECHANICAL

# MD6R40630A

NHP MOD6+ RCBO 6kA 3 Pole and Switched N 06A C Curve  
30mA Type A



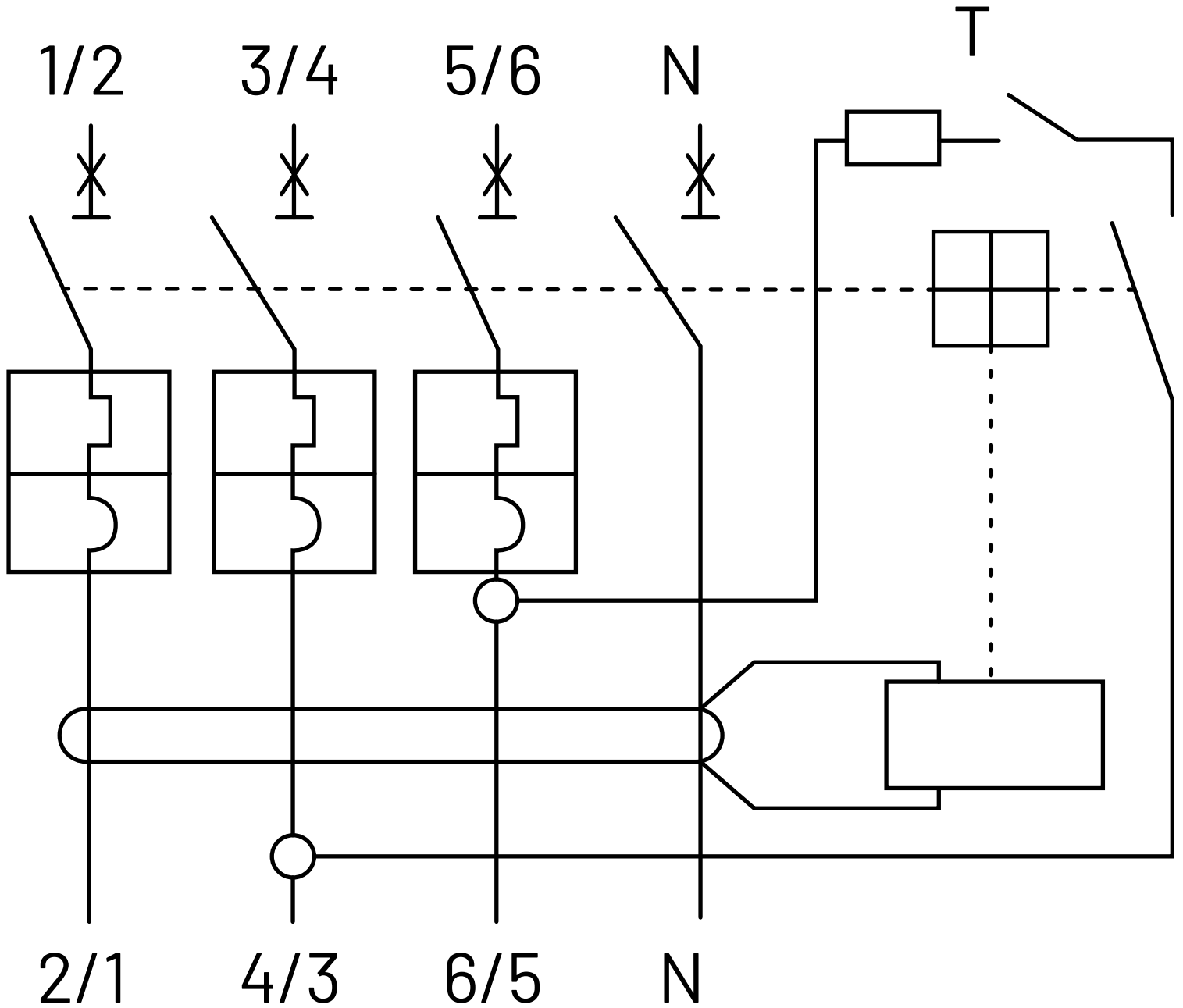
<b>MECHANICAL</b>	Connectable conductor cross section solid-core	1-25 mm <sup>2</sup>
	Connectable conductor cross section multi-wired	1-25 mm <sup>2</sup>
	Max. shock duration	13 ms
	Max. shock acceleration	30 g
<b>DIMENSIONS</b>	Depth	72 mm
	Height	75 mm
	Width	70.5 mm
	Weight	0.48 kg
	Width in number of modular spacings	4
<b>ENVIRONMENT</b>	Operating temperature	-25...55 °C
	Pollution degree	2

# MD6R40630A

NHP MOD6+ RCBO 6kA 3 Pole and Switched N 06A C Curve  
30mA Type A



## CIRCUIT DIAGRAM

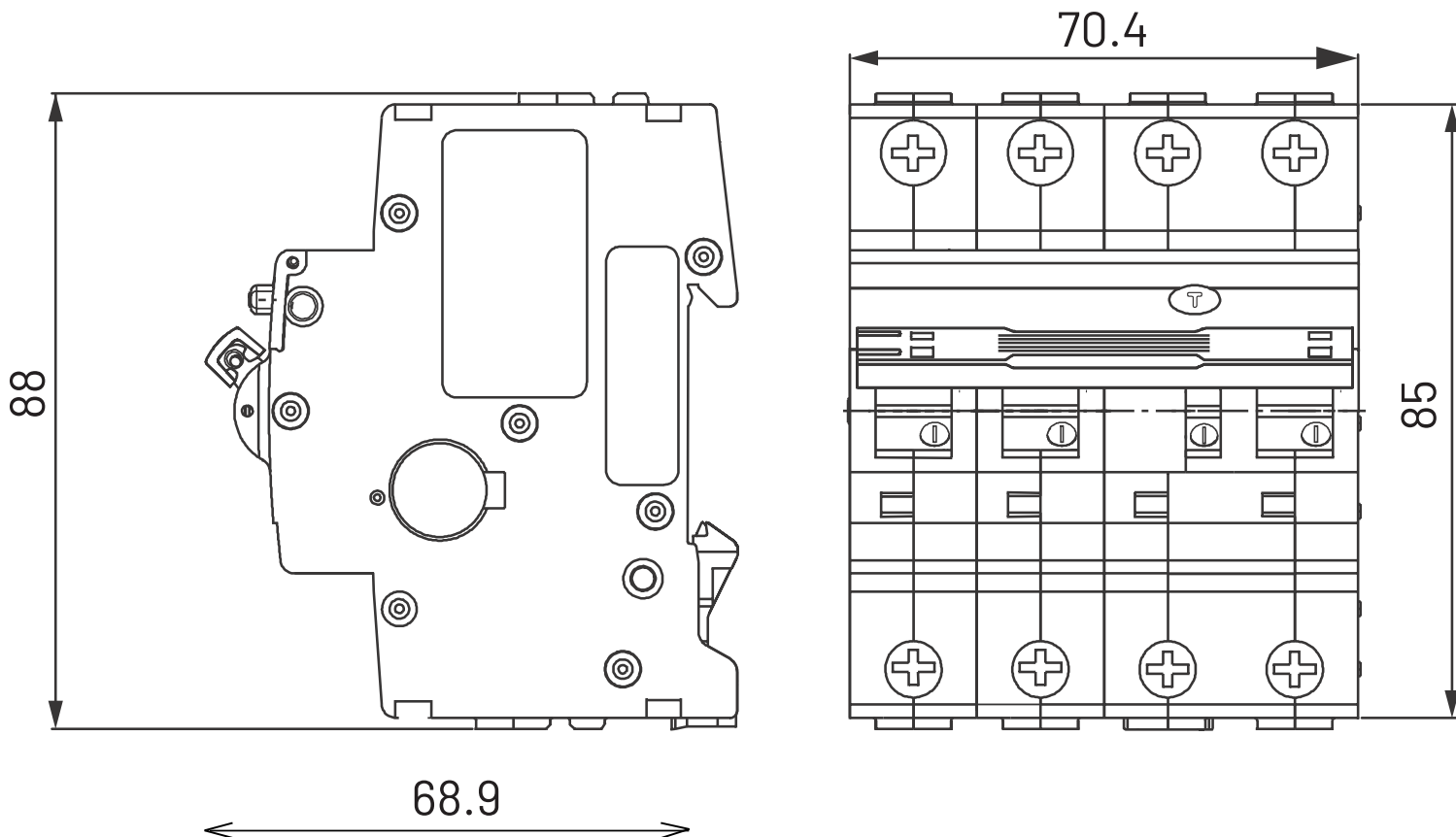


# MD6R40630A

NHP MOD6+ RCBO 6kA 3 Pole and Switched N 06A C Curve  
30mA Type A



## DIMENSIONAL DIAGRAM



# MD6R40630A

NHP MOD6+ RCBO 6kA 3 Pole and Switched N 06A C Curve  
30mA Type A



**MOD6+**<sup>TM</sup>  
RESIDUAL CURRENT DEVICES

## RELATED PRODUCTS

### ACCESSORY



**Item No:** DTLD

**Required:** No

**Description:** NHP DIN-T LOCKDIN Locking Device Removable Individual Piece 8mm



**Item No:** DTTTL25PN2

**Required:** No

**Description:** NHP DIN-T Miniature Circuit Breaker Terminal Axial Pin 25mm Long Insulated



**Item No:** DTPF12

**Required:** No

**Description:** NHP DIN-T Accessory Pole Filler 12Pole Strip 216mm equals 24 x 9mm Segments



**Item No:** DTTTL35LPN

**Required:** No

**Description:** NHP DIN-T Accessory Terminal Lateral Pin 35mm Long



**Item No:** DTT9025PN

**Required:** No

**Description:** NHP DIN-T Miniature Circuit Breaker Terminal Insulated 90 Degrees 25mm Pin



**Item No:** DTTTL35PN

**Required:** No

**Description:** NHP DIN-T Accessory Terminal Lateral Pin 35mm Short



**Item No:** DTTAX25PN

**Required:** No

**Description:** NHP DIN-T Accessory Terminal Axial Pin 25mm



**Item No:** ICL564

**Required:** No

**Description:** NHP DIN-T Miniature Circuit Breaker Busbar Comb 56 Way 4Pole Pin Type 80A End Feed 130A Centre Feed



**Item No:** DTTAX50PN

**Required:** No

**Description:** NHP DIN-T Accessory Terminal Axial Pin 50mm



**Item No:** ICLC4

**Required:** No

**Description:** NHP DIN-T Miniature Circuit Breaker Busbar Comb Endcap 4 Phase ICL



**Item No:** ICLTOC

**Required:** No

**Description:** NHP DIN-T Miniature Circuit Breaker Busbar Comb Tee Off Cap Strip of 5