

MD6RT0630A

NHP MOD6+ RCBO 6kA 3 Pole and N 6A C Curve 30mA Type A (Longbody)



Component type	Earth leakage circuit breaker
Range	MOD6+ Residual Current Devices
Model	N/A
Product status	New Item

NHP MOD6+ Residual Current Devices (RCDs) offer a 6kA rating with a proven history in domestic and commercial applications. The MOD6+ RCD range offers many solutions for both 1 phase in 10mA and 30mA sensitivities as well as 3 phase in 30mA sensitivities. The MOD6+ RCDs can be easily installed into NHP Loadcenters, as well as MOD6+ RCBOs into MOD6+ Distribution Panelboards.

ELECTRICAL

Rated current	6 A
Rated voltage	415 V
Rated leakage current	30 mA
Frequency	50/60 Hz
Rated short-circuit breaking capacity according to AS/NZS 61009	6 kA
Voltage type	AC
Trip curve	C
Rated impulse withstand voltage Uimp	4 kV
Leakage current type	A
Tripping time	300 ms
Min. service voltage	207 V
Max. operating voltage (Umax)	457 V
Rated residual make/break capacity	6000 A
Protected neutral pole	No
Number of poles (total)	4
Electrical life at Un, In (service cycles)	10000 cycles
Type of electric connection	Fork and pin
Isolator application	Yes
Rated insulation voltage Ui	500 V
Concurrently switching neutral conductor	No

CONSTRUCTION

Mounting method	DIN rail
IP rating	IP40
Number of protected poles	3
Mechanical life (service cycles)	20000 cycles
Disconnection characteristic	Undelayed

MECHANICAL

MD6RT0630A

NHP MOD6+ RCBO 6kA 3 Pole and N 6A C Curve 30mA Type A
(Longbody)



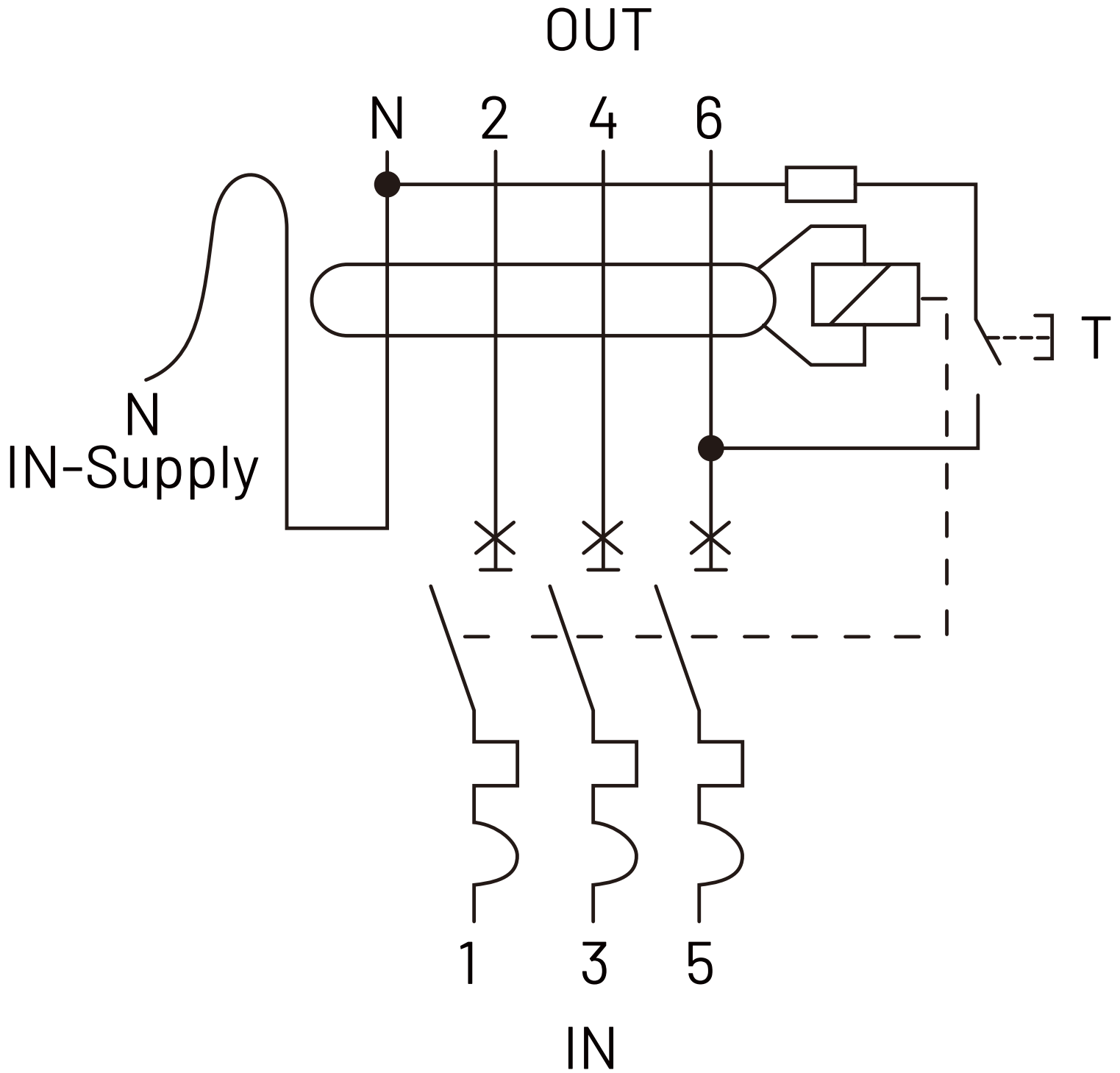
MECHANICAL	Connectable conductor cross section solid-core	1-25 mm ²
	Connectable conductor cross section multi-wired	1-16 mm ²
DIMENSIONS	Depth	77.1 mm
	Height	117.5 mm
	Width	54 mm
	Weight	0.55 kg
	Width in number of modular spacings	3
ENVIRONMENT	Operating temperature	-5...55 °C
	Pollution degree	2

MD6RT0630A

NHP MOD6+ RCBO 6kA 3 Pole and N 6A C Curve 30mA Type A (Longbody)



CIRCUIT DIAGRAM

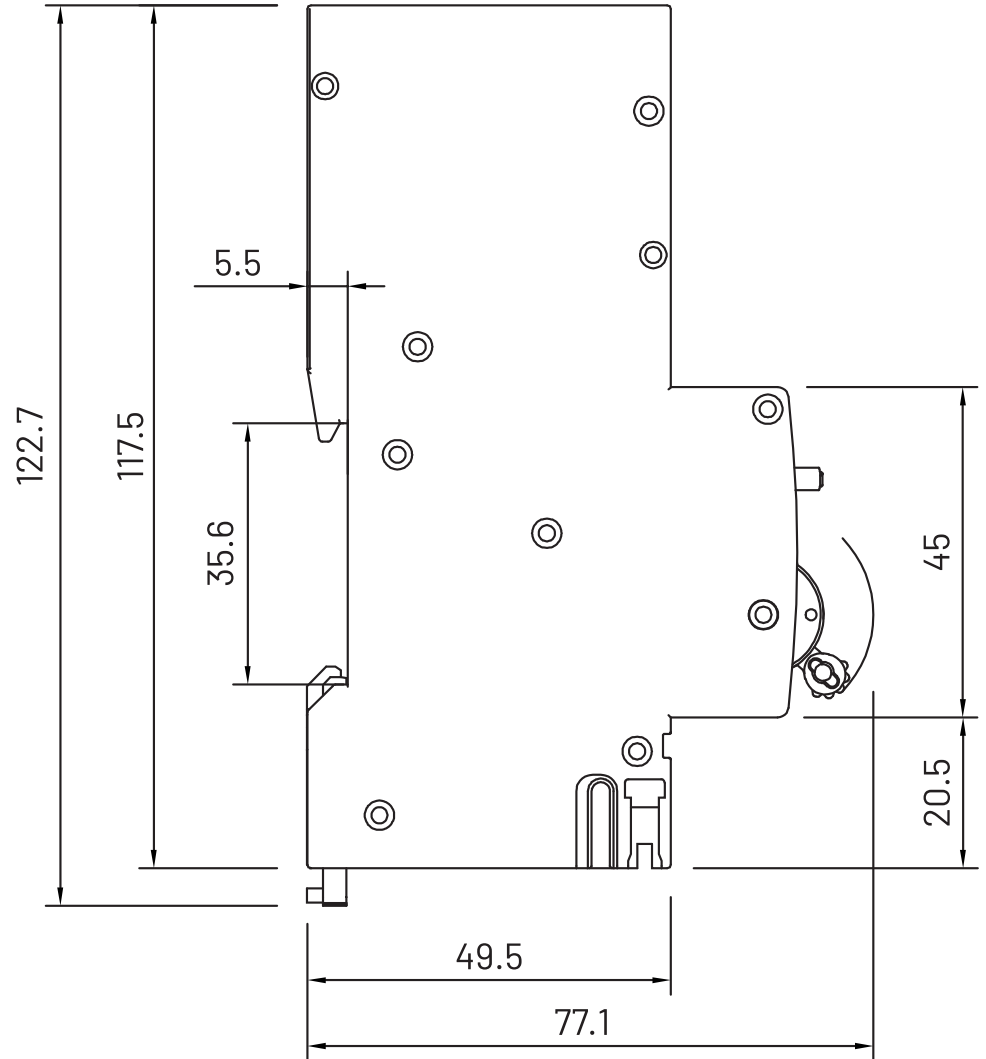
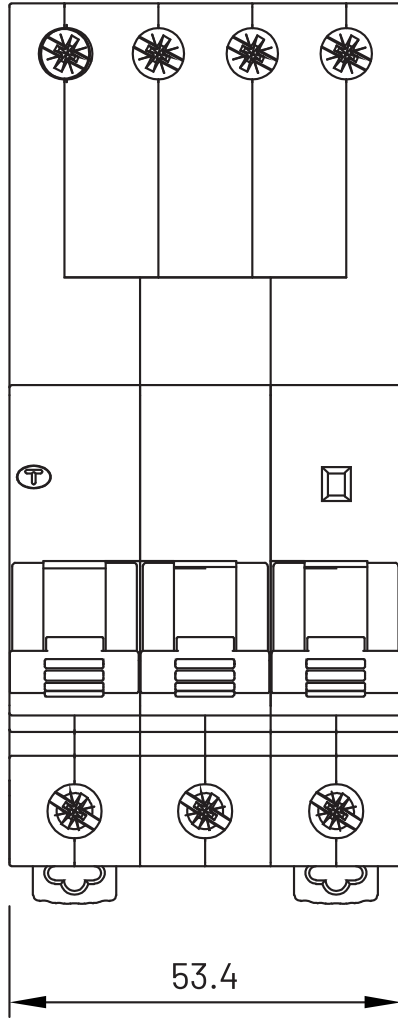


MD6RT0630A

NHP MOD6+ RCBO 6kA 3 Pole and N 6A C Curve 30mA Type A
(Longbody)



DIMENSIONAL DIAGRAM



MD6RT0630A

NHP MOD6+ RCBO 6kA 3 Pole and N 6A C Curve 30mA Type A (Longbody)



MOD6+
RESIDUAL CURRENT DEVICES

RELATED PRODUCTS

ACCESSORY



Item No: DTL D

Required: No

Description: NHP DIN-T LOCKDIN Locking Device Removable Individual Piece 8mm



Item No: DTPF12

Required: No

Description: NHP DIN-T Accessory Pole Filler 12Pole Strip 216mm equals 24 x 9mm Segments



Item No: DTT9025PN

Required: No

Description: NHP DIN-T Miniature Circuit Breaker Terminal Insulated 90 Degrees 25mm Pin



Item No: DTTAX25PN

Required: No

Description: NHP DIN-T Accessory Terminal Axial Pin 25mm



Item No: DTTAX50PN

Required: No

Description: NHP DIN-T Accessory Terminal Axial Pin 50mm



Item No: DTTTL25PN2

Required: No

Description: NHP DIN-T Miniature Circuit Breaker Terminal Axial Pin 25mm Long Insulated



Item No: DTTTL35LPN

Required: No

Description: NHP DIN-T Accessory Terminal Lateral Pin 35mm Long



Item No: DTTTL35PN

Required: No

Description: NHP DIN-T Accessory Terminal Lateral Pin 35mm Short



Item No: ICL123

Required: No

Description: NHP DIN-T Miniature Circuit Breaker Busbar Comb 12 Way 3Pole Pin Type 80A End Feed 130A Centre Feed



Item No: ICL153

Required: No

Description: NHP DIN-T Miniature Circuit Breaker Busbar Comb 15 Way 3Pole Pin Type 80A End Feed 130A Centre Feed



Item No: ICL183

Required: No

Description: NHP DIN-T Miniature Circuit Breaker Busbar Comb 18 Way 3Pole Pin Type 80A End Feed 130A Centre Feed



Item No: ICL213

Required: No

Description: NHP DIN-T Miniature Circuit Breaker Busbar Comb 21 Way 3Pole Pin Type 80A End Feed 130A Centre Feed



Item No: ICL573

Required: No

Description: NHP DIN-T Miniature Circuit Breaker Busbar Comb 57 Way 3Pole Pin Type 80A End Feed 130A Centre Feed



Item No: ICLEC23

Required: No

Description: NHP DIN-T Miniature Circuit Breaker Busbar Comb Endcap for 2 and 3Pole ICL and 3 Auxiliary



Item No: ICLTOC

Required: No

Description: NHP DIN-T Miniature Circuit Breaker Busbar Comb Tee Off Cap Strip of 5