

MD6RT5030A

NHP MOD6+ RCBO 6kA 3 Pole and N 50A C Curve 30mA Type A
(Longbody)



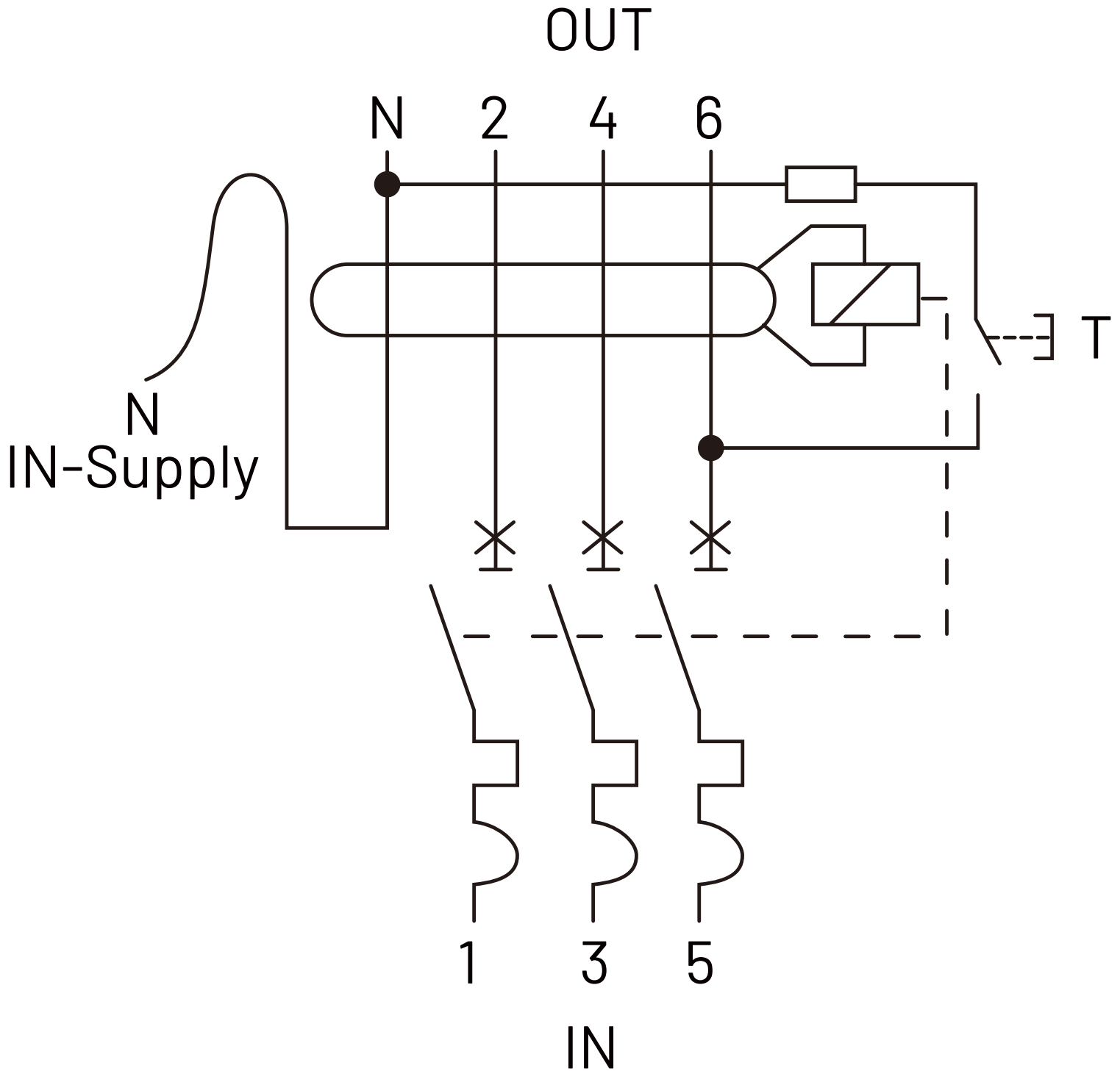
MECHANICAL	Connectable conductor cross section solid-core	1-25 mm ²
	Connectable conductor cross section multi-wired	1-16 mm ²
DIMENSIONS	Depth	77.1 mm
	Height	117.5 mm
	Width	54 mm
	Weight	0.55 kg
	Width in number of modular spacings	3
ENVIRONMENT	Operating temperature	-5...55 °C
	Pollution degree	2

MD6RT5030A

NHP MOD6+ RCBO 6kA 3 Pole and N 50A C Curve 30mA Type A (Longbody)



CIRCUIT DIAGRAM



MD6RT5030A

NHP MOD6+ RCBO 6kA 3 Pole and N 50A C Curve 30mA Type A
(Longbody)



DIMENSIONAL DIAGRAM

