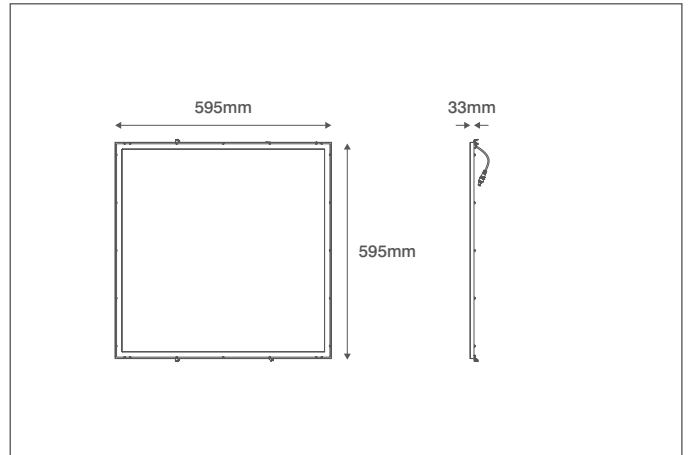


SLATE BACKLIT

Technical Specification

Product Code: **OSB22**

Description: 22W 600mm x 600mm Backlit LED Panel CW White



General Information

Dimensions (mm)	595 (L) x 595 (W) x 33 (D)
Materials	Frame: Powder Coated Aluminium; Diffuser: Polystyrene; Back Cover: Powder Coated Steel
Colour	White (RAL9003)
Product Weight (Kg)	1.65
Ingress Protection	IP44
Impact Rating (IK)	06
Flammability Rating	TP(b)
Warranty (Years)	5

Supply & Power Information

Continuous Operating Voltage (AC) (Hz)	220-240 (50)
Safety Class	II
Circuit Wattage (W)	22
LED Wattage (W)	22
Input Current (mA)	0.15
Inrush Current/Time	<40A (350uS@220V [~])
Power Factor	>0.9
Critical Temperature (°C)	+90
Driver Information	Remote Driver Supplied
Prewired Flow™ Connector	3 Pole CT105-F Push-fit Terminals

Additional Information

Suspension hooks pre-fitted to the back

Compatible Accessories

OVCGMF0001 - 240V[~] 29-48W Multi-function Dimmable Constant Current LED Driver

OVSUSP731 - Suspension Wire Kit

OVREC731 - 600mm x 600mm Recess Frame Kit

OVSURF734 - 600mm x 600mm Surface Frame Kit

OEP4 - 3 Hour Emergency Pack

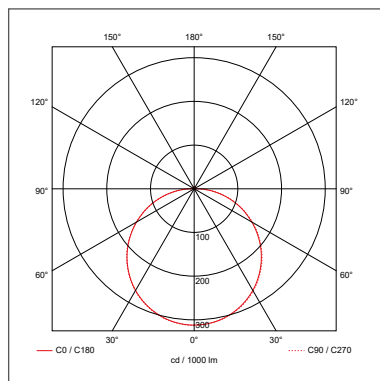
OEP4ST - 3 Hour Self-Test Emergency Pack

Luminaire Output

Colour Temperature (K)	4000
Colour Render Index (CRI)	>80
Typical Luminous Flux (lm)	3100
Efficacy (lm/W)	140
Beam Angle (°)	120
Flicker Free	Yes
Unified Glare Rating (UGR)	<23
LED Lifetime (L70) (Hours)	50000

Dimming Information

Dimmable	No
----------	----



OVIA Limited, Scolmore House, Mariner, Lichfield Road Industrial Estate, Tamworth, Staffordshire, B79 7UL United Kingdom

T: +44 (0)1827 300640

E: sales@oviaUK.com | W: oviaUK.com



Catalogue



Section



DoC



Installation

