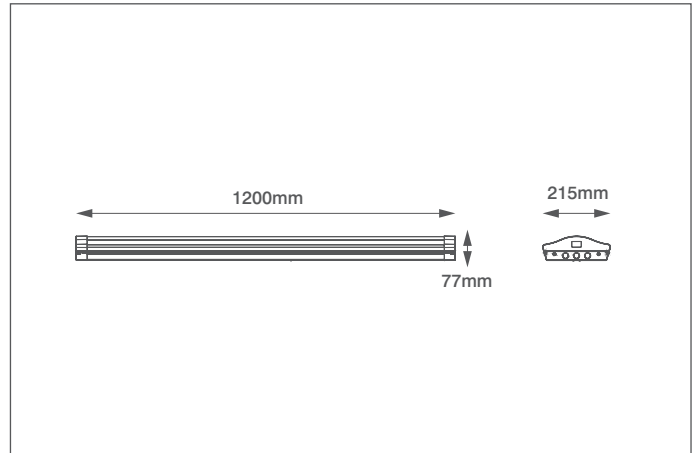


INCEPTOR® A-LITE

Technical Specification

Product Code: OV841217MWEMCTA

Description: 17W 1200mm Linear Batten CTA Switchable LED Light - Microwave Sensor & Emergency



General Information

Dimensions (mm)	1200 (L) x 215 (W) x 77 (D)
Materials	Base: Powdercoated Steel Opaque Diffuser: Polycarbonate
Finish	White (RAL 9016)
Product Weight (Kg)	2.95
Ingress Protection	IP20
Impact Rating (IK)	06
Flammability Rating	TP(b)
Mounting	Ceiling, Wall or Suspended
Fixing Components Supplied	Wall Plugs, Washers & Screws Supplied
Warranty (Years)	5
Battery Warranty (Years)	4

Luminaire Output

Colour Temperature (K)	3000	4000	6000
Typical Luminous Flux (lm)	1800	2000	1900
Efficacy (lm/W)	100	110	105
Beam Angle (°)	120		
Emergency Luminous Flux (lm)	240	240	240
Colour Rendering Index (CRI)	>80		
Flicker Free	Yes		
LED Lifetime (L70) (Hours)	50,000		

Dimming Information

Dimmable	No
----------	----

Sensor Information

Detection Area Settings (%)	10 / 50 / 75 / 100
Detection Angle (°)	120
Daylight Threshold Settings (Lux)	2 / 10 / 50 / Disable
HF System	5.8GHz ±75MHz
Master/Slave Facility	Up to 400W
Hold Time Settings	5s / 90s / 5min. 15min.

Emergency Backup Information

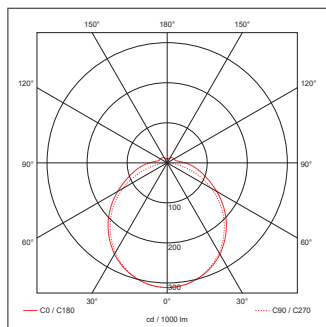
Battery Specification	11.1V 2000mAh LiFePo4
Minimum Duration (Hours)	3
Battery Warranty (Years)	4

Compatible Accessories

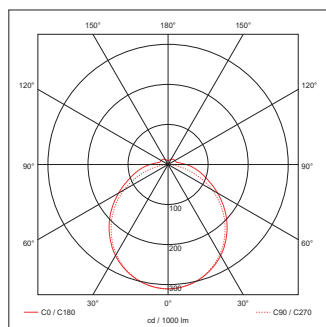
OVEMB7418LIS - 7.4V 1800mAh LiFePo4 Battery – Serial

Supply & Power Information

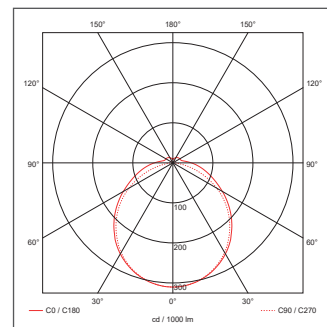
Input Voltage & Frequency (V~ / Hz)	220-240 50
Safety Class	I
Circuit Wattage (W)	19
LED Wattage (W)	17
Input Current (mA)	74
Inrush Current	4A (200µs)
Power Factor	>0.9
Operating Temperature (°C)	0 to +60
Maximum Critical Temperature (°C)	+90
Input Terminations	4 Pole Push Fit Terminal Block



3000



4000



6000



OVIA Limited, Scolmore House, Mariner, Lichfield Road Industrial Estate, Tamworth, Staffordshire, B79 7UL United Kingdom

T: +44 (0)1827 300640

E: sales@oviaUK.com | W: oviaUK.com