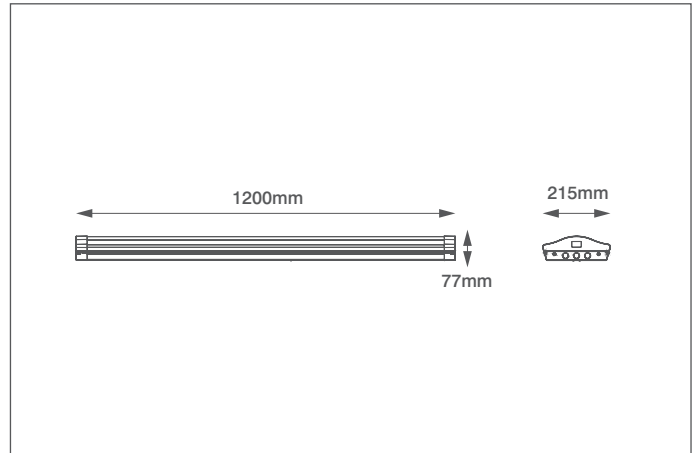


INCEPTOR® A-LITE

Technical Specification

Product Code: OV841232CTA

Description: 32W 1200mm Linear Batten CTA Switchable LED Light



General Information

Dimensions (mm)	1200 (L) x 215 (W) x 77 (D)
Materials	Base: Powdercoated Steel Opaque Diffuser: Polycarbonate
Finish	White (RAL 9016)
Product Weight (Kg)	2.75
Ingress Protection	IP20
Impact Rating (IK)	06
Flammability Rating	TP(b)
Mounting	Ceiling, Wall or Suspended
Fixing Components Supplied	Wall Plugs, Washers & Screws Supplied
Warranty (Years)	5

Luminaire Output

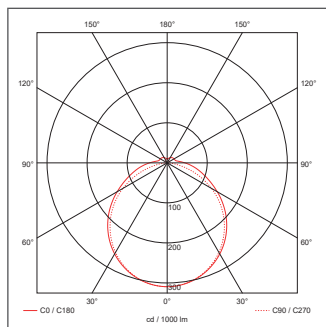
Colour Temperature (K)	3000	4000	6000
Typical Luminous Flux (lm)	2600	2950	2800
Efficacy (lm/W)	105	120	115
Beam Angle (°)	120		
Colour Rendering Index (CRI)	>80		
Flicker Free	Yes		
LED Lifetime (L70) (Hours)	50,000		

Dimming Information

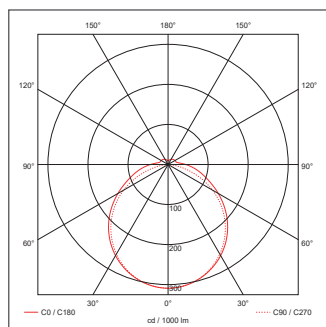
Dimmable	No
----------	----

Supply & Power Information

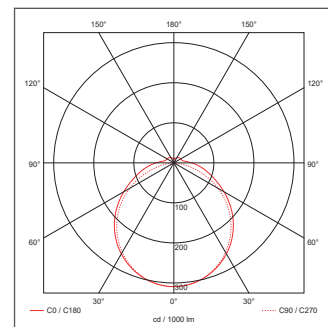
Input Voltage & Frequency (V~ / Hz)	220-240 50
Safety Class	I
Circuit Wattage (W)	32
LED Wattage (W)	32
Input Current (mA)	140
Inrush Current	7.5A (280µs)
Power Factor	>0.9
Operating Temperature (°C)	-20 to +60
Maximum Critical Temperature (°C)	+90
Input Terminations	3 Pole Push Fit Terminal Block



3000



4000



6000



Ovia Limited, Scolmore House, Mariner, Lichfield Road Industrial Estate, Tamworth, Staffordshire, B79 7UL United Kingdom

T: +44 (0)1827 300640

E: sales@oviaUK.com | W: oviaUK.com