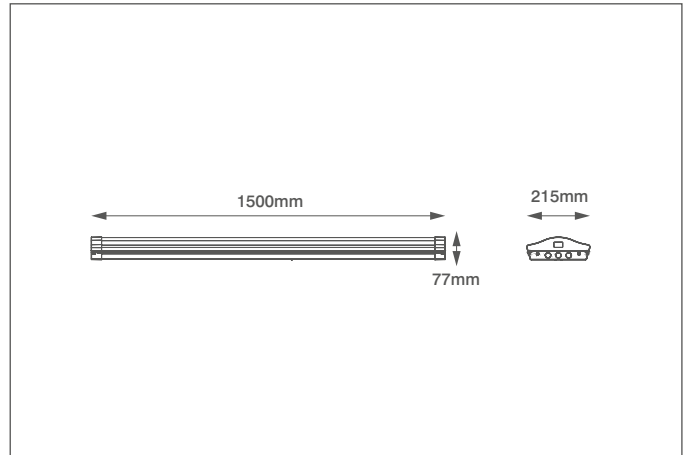


INCEPTOR® A-LITE

Technical Specification

Product Code: OV841550MWCTA

Description: 50W 1500mm Linear Batten CCT Switchable LED Light Microwave Sensor



General Information

Dimensions (mm)	1500 (L) x 215 (W) x 77 (D)
Materials	Base: Powder Coated Steel; Opaque Diffuser: Polycarbonate
Colour	White (RAL9016)
Product Weight (Kg)	3.2
Ingress Protection	IP20
Impact Rating (IK)	06
Flammability Rating	TP(b)
Mounting	Ceiling, Wall or Suspended
Fixing Components Supplied	Wall Plugs, Washers & Screws Supplied
Warranty (Years)	5

Supply & Power Information

Continuous Operating Voltage (AC / Hz)	220-240 (50)
Safety Class	I
Circuit Wattage (W)	50
LED Wattage (W)	50
Input Current (mA)	220
Inrush Current	10.5A (336µs)
Power Factor	>0.9
Operating Temperature (°C)	-20 to +60
Maximum Critical Temperature (°C)	+90
Input Terminations	3 Pole Push Fit Terminal Block

Luminaire Output

Colour Temperature (K)	3000	4000	6000
Typical Luminous Flux (lm)	5250	5900	5600
Efficacy (lm/W)	105	120	115
Beam Angle (°)	120		
Colour Rendering Index (CRI)	>80		
Flicker Free	Yes		
LED Lifetime (L70) (Hours)	50000		

Dimming Information

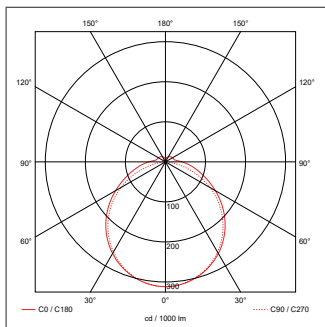
Dimmable	No
Dimming Format	Corridor Function
Corridor Dimming Levels (%)	10 & 30

Sensor Information

Mounting Detection Range (m)	6 (Ceiling), 3 (Wall)
Detection Area Settings (%)	50 / 100
Dimming Levels - Corridor Function (%)	10 & 30
Daylight Threshold Settings (Lux)	2 / 10 / 50 / Disable
HF System	5.8GHz ±75MHz
Hold Time Settings	5s / 30s / 1min. / 5min.

Additional Information

Microwave Sensor offers Corridor Function facility



OVIA Limited, Scolmore House, Mariner, Lichfield Road Industrial Estate,
 Tamworth, Staffordshire, B79 7UL United Kingdom
 T: +44 (0)1827 300640
 E: sales@oviaUK.com | W: oviaUK.com

