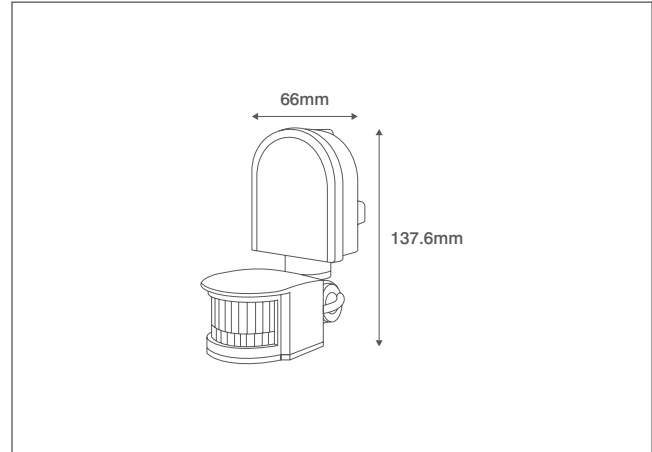


CONTROLS

Technical Specification

Product Code: OVPIR002WH

Description: Wall Mounted Multi-Directional 180° PIR - IP44 - White



General Information

Dimensions	66mm (W) x 137.6mm (H) x 48mm (D)
Materials	Body: Polycarbonate (UV Stabilised)
Finish	White
Typical Mounting	Vertical / Wall
Working Humidity	<93%RH
Ingress Protection	IP44
Warranty	3 Years

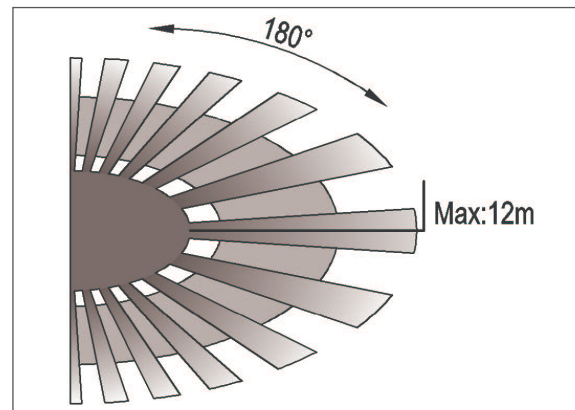
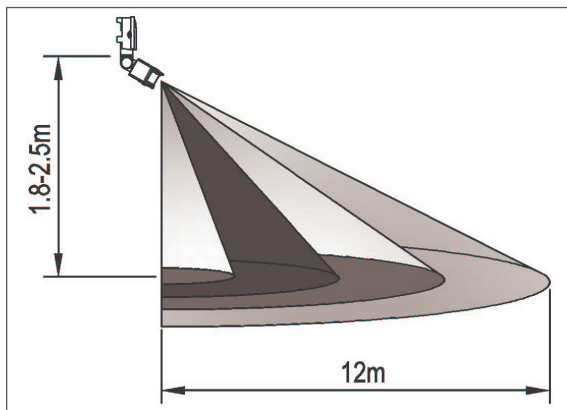
Supply & Power

Input Voltage & Frequency	220-240V~ 50/60Hz
Terminations	Input: Permanent Live & Neutral Output: Switched Live (All Screw Terminals)
Electrical Safety	Class II (Double Insulated)
Load Rating	300W - LED & Compact Fluorescent 1200W - Incandescent & Halogen
Power Consumption	0.5W Approx.
Ambient Temperature (Ta)	-20°C - +40°C

Sensor Parameters & Settings

Installation Height	1.8 Metres to 2.5 Metres	
Detection Distance	5 Metres Min. to 12 Metres Max. (<24°C)	
Detection Angle	180°	
Detection Motion Speed	0.6-1.5m/s	
Manual Adjustments	Time Delay	10 Seconds (Min. +-3 Seconds) to 7 Minutes (Max. +- 2 Minutes)
	Lux Level	3 Lux (Minimum) to 2000 Lux (Maximum)

Detection Area Schematics



OVIA Limited, Scolmore House, Mariner, Lichfield Road Industrial Estate, Tamworth, Staffordshire, B79 7UL United Kingdom

T: +44 (0)1827 300640

E: sales@oviaUK.com | W: oviaUK.com