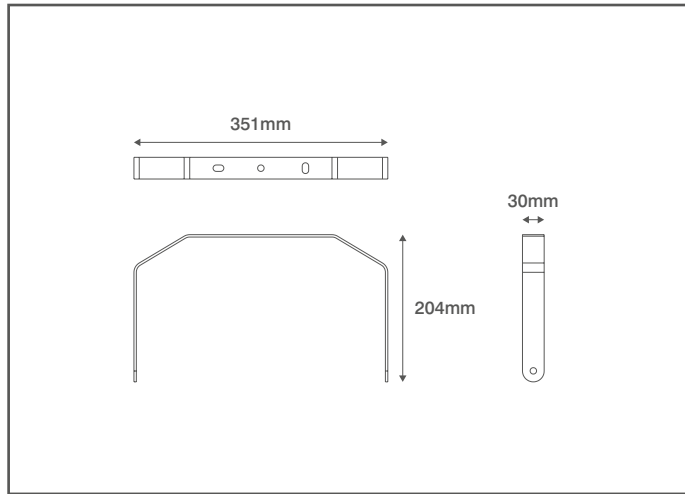
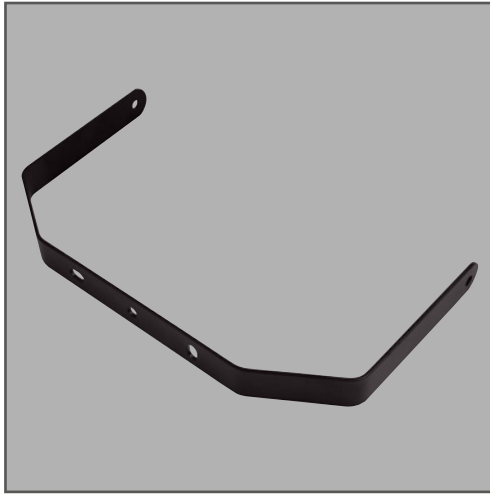


Product Code: OVWB1082

Description: Bracket For 150W Grus Highbay Fitting



General Information

Dimensions	351mm (W) x 204mm (D) x 30mm (T)
Materials	Bracket: Powdercoated SPCC Steel
Finish	Black (RAL 9004)
Product Weight	0.44Kg
Compatible Fitting	OV108150
Warranty	4 Years