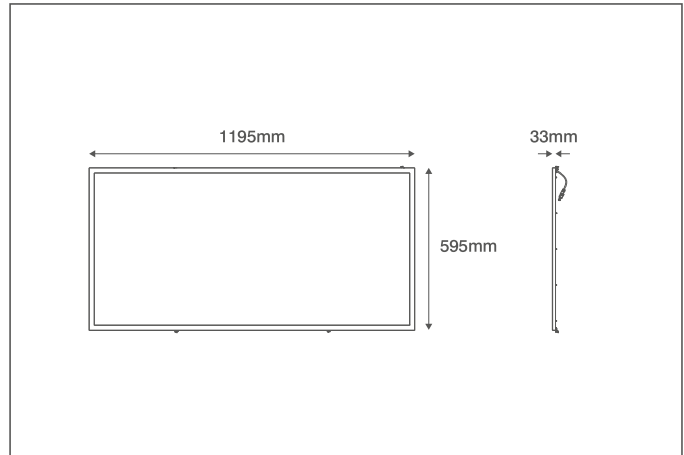
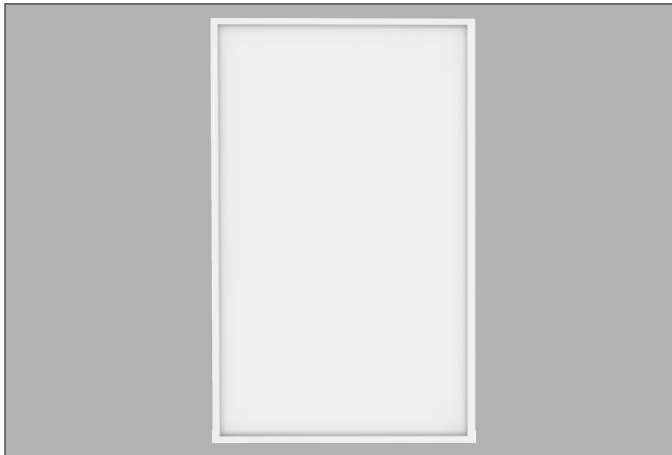


INCEPTOR® SLATE BACKLIT UGR

Technical Specification

Product Code: OXS12X6

Description: 37-50W 1200mm x 600mm Backlit Low-Glare LED Panel CCT Switchable White



General Information

Dimensions (mm)	1195 (L) x 595 (W) x 33 (D)
Materials	Frame: Powder Coated Aluminium; Diffuser: Polystyrene; Back Cover: Powder Coated Steel
Bezel Colour	White (RAL9003)
Product Weight (Kg)	4
Ingress Protection	IP44
Impact Rating (IK)	06
Flammability Rating	TP(a)
Warranty (Years)	5

Supply & Power Information

Continuous Operating Voltage (AC) (Hz)	220-240 (50)
Safety Class	II
Circuit Wattage (W)	37/50
LED Wattage Options (W)	37/50
Input Current (mA)	0.17
Inrush Current	<40A (350uS@220V [~])
Power Factor	>0.9
Driver Information	Remote Driver Supplied
Operating Temperature (°C)	40
Maximum Critical Temperature (°C)	+70
Prewired Flow™ Connector	3 Pole CT105-F Push-fit Terminals

Luminaire Output

Colour Temperature (K)	4000	5000	6500
LED Wattage	37		
Typical Luminous Flux (lm)	5250	5250	5250
Efficacy (lm/W)	141	141	141
LED Wattage	50		
Typical Luminous Flux (lm)	7000	7000	7000
Efficacy (lm/W)	140	140	140
Beam Angle (°)	90		
Colour Rendering Index (CRI)	>80		
Unified Glare Rating (UGR)	<19		
Flicker Free	Yes		
LED Lifetime (L70) (Hours)	50000		

Dimming Information

Dimmable	No
----------	----

Compatible Accessories

- OVCGMF0002 - 240V 38-69W 3 in 1 Multi-function Dimmable Constant Current LED Driver
- OVSUSP733 - Suspension Wire Kit
- OVSURF12X6 - 1200mm x 600mm Surface Frame Kit
- OEP4 - 3 Hour Emergency Pack
- OEP4ST - 3 Hour Self-Test Emergency Pack

Additional Information

Suspension hooks pre-fitted to the back



OVIA Limited, Scolmore House, Mariner, Lichfield Road Industrial Estate, Tamworth, Staffordshire, B79 7UL United Kingdom

T: +44 (0)1827 300640

E: sales@oviaUK.com | W: oviaUK.com



Catalogue



Section



DoC



Installation

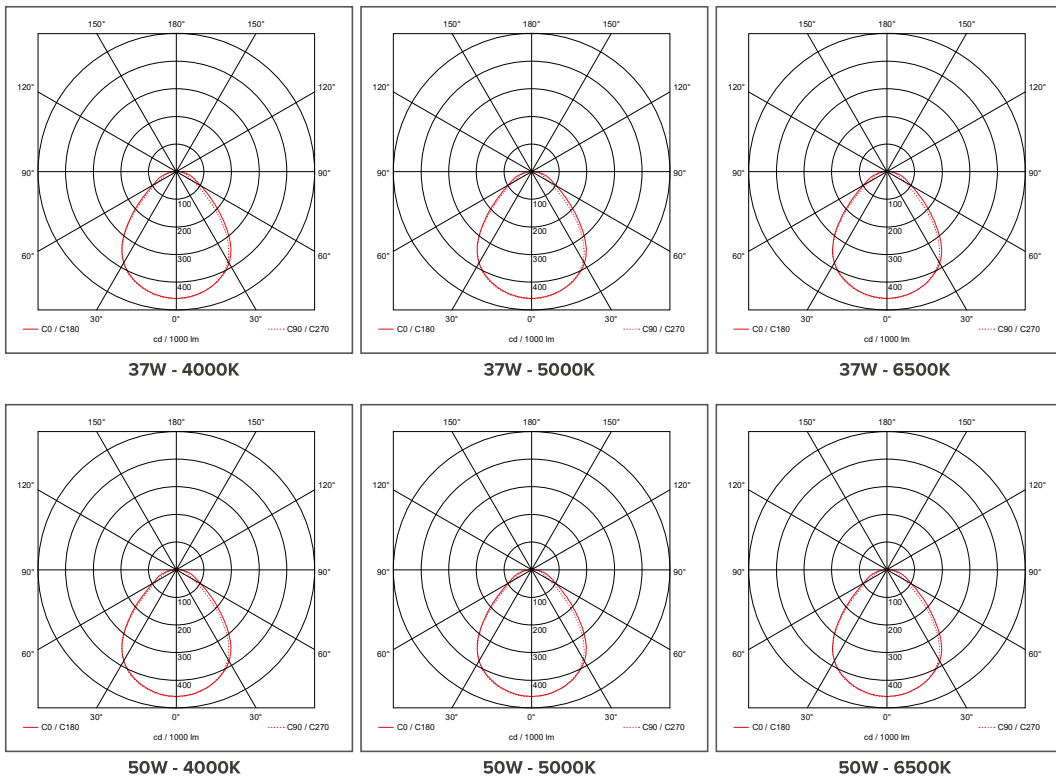


INCEPTOR® SLATE BACKLIT UGR

Technical Specification

Product Code: OXS12X6

Description: 37-50W 1200mm x 600mm Backlit Low-Glare LED Panel CCT Switchable White



OVIA Limited, Scolmore House, Mariner, Lichfield Road Industrial Estate, Tamworth, Staffordshire, B79 7UL United Kingdom

T: +44 (0)1827 300640

E: sales@oviaUK.com | W: oviaUK.com



Catalogue



Section



DoC



Installation

