

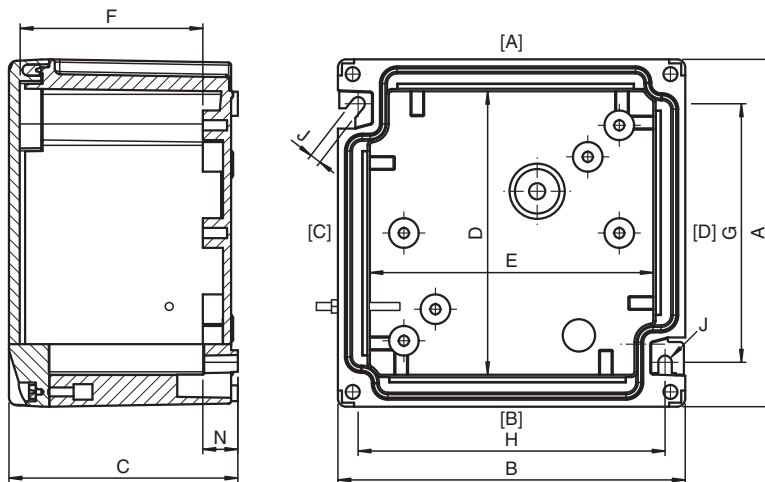
## Junction Box Ex i, Glass-Fiber Reinforced Polyester (GRP)

GR.TJI.13.13.09.B-S0008

- Carbon loaded, antistatic glass-fiber reinforced polyester
- Installation in Zone 1, Zone 2, Zone 21 and Zone 22
- Ex ia and Ex tb certified
- 129 mm x 129 mm x 85 mm
- Modern design with high impact resistance
- Easy installation due to easily accessible mounting points
- Easy cover opening without damage due to multiple pry points
- Bottom face cable glands polyamide, 2x M20; left side cable gland polyamide, 1x M20; right side cable gland polyamide, 1x M20
- Blue marking for use with Ex i circuits
- Image is generic for this device type and may deviate from the specific variant



### Dimensions



Dimension values see data table.

Image and drawing are generic for this device type and may deviate from the specific variant.

### Technical Data

#### Electrical specifications

Operating voltage 60 V AC / DC max. for ATEX / IECEx

#### Mechanical specifications

Enclosure cover fully detachable

Cover fixing

Screws M6 stainless steel combination Phillips and slotted screw

Number 4

Tightening torque 3.5 Nm

Cover seal foamed silicone

Degree of protection IP66

Cable entry thru-holes

Release date: 2023-09-29 Date of issue: 2023-09-29 Filename: 70118400\_eng.pdf

Refer to "General Notes Relating to Pepperl+Fuchs Product Information".

Pepperl+Fuchs Group  
www.pepperl-fuchs.com

USA: +1 330 486 0002  
pa-info@us.pepperl-fuchs.com

Germany: +49 621 776 2222  
pa-info@de.pepperl-fuchs.com

Singapore: +65 6779 9091  
pa-info@sg.pepperl-fuchs.com

PEPPERL+FUCHS

## Technical Data

<b>Cable entry face B</b>		
M20 quantity		2
M20 series		Cable Glands, Plastic
M20 type		CG.PIDS1.M20.*
M20 clamping range		6 ... 12 mm
<b>Cable entry face C</b>		
M20 quantity		1
M20 series		Cable Glands, Plastic
M20 type		CG.PIDS1.M20.*
M20 clamping range		6 ... 12 mm
<b>Cable entry face D</b>		
M20 quantity		1
M20 series		Cable Glands, Plastic
M20 type		CG.PIDS1.M20.*
M20 clamping range		6 ... 12 mm
<b>Terminal assembly</b>		
Rail orientation		horizontal
Number of horizontal rails		1
Usable length per horizontal rail		67.5 mm
Terminal type		12 x MUT 2.5 blue 2 x MUT 2.5 PE
Terminal capacity		2.5 mm <sup>2</sup>
<b>Material</b>		
Enclosure		carbon loaded, antistatic glass-fiber reinforced polyester (GRP)
Finish		inherent color black
Mass		approx. 1 kg
<b>Dimensions</b>		
External dimension (A)		129 mm
External dimension (B)		129 mm
External dimension (C)		85 mm
Internal dimension (D)		106 mm
Internal dimension (E)		106 mm
Internal dimension (F)		68 mm
Mounting holes distance (G)		96 mm
Mounting holes distance (H)		114 mm
Mounting holes diameter (J)		5 mm
Thickness of mounting brackets (N)		13 mm
Mounting		2 screws
<b>Ambient conditions</b>		
Ambient temperature		-40 ... 60 °C (-40 ... 140 °F)
<b>Data for application in connection with hazardous areas</b>		
EU-type examination certificate		CML 17 ATEX 3255X
Marking		⊕ II 2 GD Ex ia IIC T* Gb Ex tb IIIC T** °C Db T6/T80 °C @ Ta +40 °C T4/T130 °C @ Ta +60 °C
<b>International approvals</b>		
IECEX approval		IECEX CML 17.0144X
UKCA approval		CML 21 UKEX 3896X
Further approvals		further on request
<b>Conformity</b>		
Degree of protection		EN60529
CE marking		0102

Release date: 2023-09-29 Date of issue: 2023-09-29 Filename: 70118400\_eng.pdf

Refer to "General Notes Relating to Pepperl+Fuchs Product Information".

Pepperl+Fuchs Group  
www.pepperl-fuchs.comUSA: +1 330 486 0002  
pa-info@us.pepperl-fuchs.comGermany: +49 621 776 2222  
pa-info@de.pepperl-fuchs.comSingapore: +65 6779 9091  
pa-info@sg.pepperl-fuchs.com

**PEPPERL+FUCHS**

## Technical Data

### General information

Supplementary information

EC-Type Examination Certificate, Statement of Conformity, Declaration of Conformity, Attestation of Conformity and instructions have to be observed where applicable. For information see [www.pepperl-fuchs.com](http://www.pepperl-fuchs.com).

Release date: 2023-09-29 Date of issue: 2023-09-29 Filename: 70118400\_eng.pdf

Refer to "General Notes Relating to Pepperl+Fuchs Product Information".

Pepperl+Fuchs Group  
[www.pepperl-fuchs.com](http://www.pepperl-fuchs.com)

USA: +1 330 486 0002  
[pa-info@us.pepperl-fuchs.com](mailto:pa-info@us.pepperl-fuchs.com)

Germany: +49 621 776 2222  
[pa-info@de.pepperl-fuchs.com](mailto:pa-info@de.pepperl-fuchs.com)

Singapore: +65 6779 9091  
[pa-info@sg.pepperl-fuchs.com](mailto:pa-info@sg.pepperl-fuchs.com)

 **PEPPERL+FUCHS**