

Maxi LED Area Floodlight Ex eb mb / Ex ec mc tc



The brand new LED Area Floodlight range is a highly efficient luminaire that boast a class leading light output from 13,000 to 28,000 Lumens (Subject to variant).

Certified for use in Zone 1, 21, 2, 22 this is a modern and versatile range of luminaires. The high quality corrosion resistant aluminium body gives excellent durability in any Zone 1 & 2 hazardous environment. The LED light engine provides a long service life which is virtually maintenance free. All products in the range are offered with a light engine warranty of up to 5 years. The whole range offers industry leading performance in terms of lumen per watt efficacy.

- ✓ Low maintenance LED light source
- ✓ Industry leading performance in terms of lumen per watt efficacy
- ✓ Rated to IK10 (subject to variant)
- ✓ High quality corrosion resistant aluminium alloy body
- ✓ Durable construction
- ✓ Long service life with light engine warranty of up to 5 years
- ✓ Virtually maintenance free
- ✓ Steel swivel mounting bracket
- ✓ A simple and robust design ensuring that the product is easy to install and use
- ✓ Supplied with tempered glass lens as standard with optional chemical and abrasion resistant polycarbonate lens



Specifications & Options

Label Marking Z1 @ 55°C	II 2 G Ex eb mb IIC T4 Gb II 2 D Ex tb IIIC T135°C Db	Ambient range (max)	-40°C to +55°C (T4) Zone 1 -40°C to +55°C (T5) Zone 2 -40°C to +44°C (T6) Zone 2
Label Marking Z2 @ 55°C	II 3 G Ex ec mc IIC T5 Gc II 3 D Ex tc IIIC T100°C Dc	Certificate No.s Z1	CML 17ATEX3027X CML 21UKEX31015X IECEX CML 17.0018X
Label Marking Z2 @ 44°C	II 3 G Ex ec mc IIC T6 Gc II 3 D Ex tc IIIC T85°C Dc	Certificate No.s Z2	CML 17ATEX3036X CML 21UKEX31016X IECEX CML 17.0018X
Zoned areas	Zones 1, 21, 2, 22	IP rating	IP66 & IP67
		IK rating	IK8+ Glass Lens IK10 Polycarbonate Lens

Material	Corrosion resistant aluminium alloy with tempered glass lens. Abrasion and chemical resistant hard coated polycarbonate lens available as an option
Cable entries	2x M20
Electrical connections	4mm ² cage clamp for single or multi-stranded conductors
Light source	High Efficiency, maintenance free, long life LED array
Light output Z1	Various ranging up to 19,000lm depending on variant. See over for details. Other outputs available on request
Light output Z2	Various ranging up to 22,500lm depending on variant. See over for details. Other outputs available on request
Supply voltage (s)	230V - 240V AC 50/60 Hz as standard
Installation / Mounting	Steel swivel mounting bracket
Control gear	Integral within the luminaire
Dimensions	400mm x 400mm x 233mm (As per diagram overleaf)
Wattage	156W
Weight	11kg



CIRCUIT BREAKER / INRUSH CURRENT GUIDE

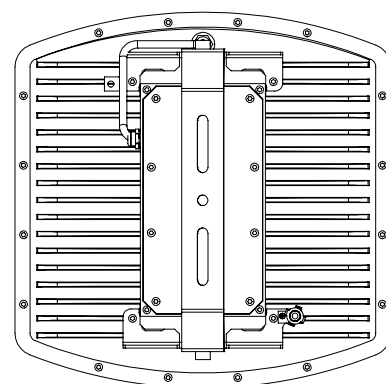
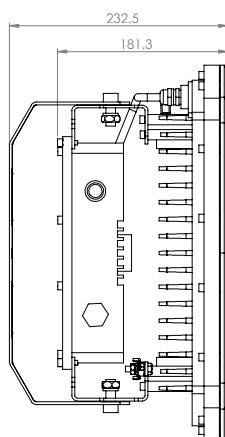
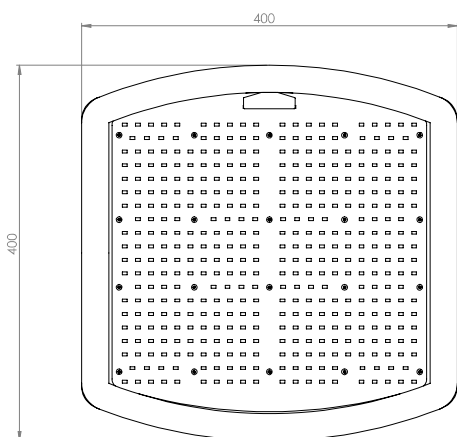
Model	No. of Luminaires per single pole Circuit Breaker				
	Type	10A	16A	20A	25A
ALED4/***/156E	B	10	13	16	20
ALED4/***/156E	C	14	18	22	26

Supply voltage @230 VAC, mains impedance = Ω
 In case of multi-pole CB the maximum number is reduced by 20%.

The maximum number may differ depending on CB manufacturer.

Please consult the manufacturer specifications.

Circuit Breakers with C characteristics are recommended for LED lighting circuits.



ORDERING INFORMATION

Part Number	Description	Light Output	Power consumption
ALED4/G/Z1/156E	400mm Frame Zone 1 Glass Lens	19,000lm	156W
ALED4/P/Z1/156E	400mm Frame Zone 1 Polycarbonate Lens	18,000lm	156W
ALED4/G/Z2/156E	400mm Frame Zone 2 Glass Lens	22,500lm	156W
ALED4/P/Z2/156E	400mm Frame Zone 2 Polycarbonate Lens	21,000lm	156W
ALED4/G/IND/156E	400mm Frame Industrial Glass Lens	22,500lm	156W
ALED4/P/IND/156E	400mm Frame Industrial Polycarbonate Lens	21,000lm	156W

For safer hazardous areas call us today on
0121 783 7161

sales@petrel-ex.co.uk | www.petrel-ex.co.uk

