



CorePro LEDspot LV

CorePro LED spot ND 7-50W MR16 830 36D

CorePro LEDspots are a perfect fit for spot lighting and deliver warm halogen-like light. They are compatible with most existing fixtures with MR16 GU5.3 holders and are designed as a retrofit replacement for halogen or incandescent spots. CorePro LEDspots deliver huge energy savings and minimize maintenance cost.

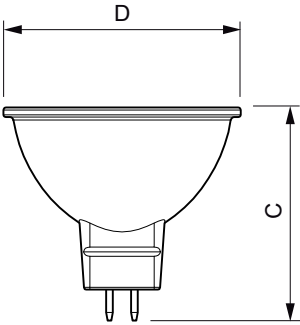
Product data

General Information		Wattage Equivalent	
Cap-Base	GU5.3 [GU5.3]		50 W
EU RoHS compliant	Yes	Starting Time (Nom)	0.5 s
Nominal Lifetime (Nom)	15000 h	Warm Up Time to 60% Light (Nom)	0.5 s
Switching Cycle	50000X	Power Factor (Nom)	0.8
Technical Type	7-50W	Voltage (Nom)	12 V
Light Technical		Temperature	
Color Code	830 [CCT of 3000K]	T-Case Maximum (Nom)	85 °C
Beam Angle (Nom)	36 °	Controls and Dimming	
Luminous Flux (Nom)	621 lm	Dimmable	No
Luminous Intensity (Nom)	1400 cd	Approval and Application	
Color Designation	White (WH)	Energy Efficiency Label (EEL)	A+
Correlated Color Temperature (Nom)	3000 K	Suitable For Accent Lighting	Yes
Luminous Efficacy (rated) (Nom)	88.00 lm/W	Energy Consumption kWh/1000 h	8 kWh
Color Consistency	<6	Product Data	
Color Rendering Index (Nom)	80	Full product code	871869681477200
LLMF At End Of Nominal Lifetime (Nom)	70 %	Order product name	CorePro LED spot ND 7-50W MR16 830 36D
Luminous Flux in 90° Cone (Rated)	621 lm	EAN/UPC - Product	8718696814772
Operating and Electrical		Order code	929001904902
Power (Nom)	7 W	Numerator - Quantity Per Pack	1
Lamp Current (Nom)	730 mA		

CorePro LEDspot LV

Numerator - Packs per outer box	10
Material Nr. (12NC)	929001904902
Net Weight (Piece)	0.034 kg

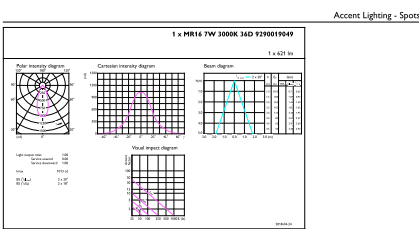
Dimensional drawing



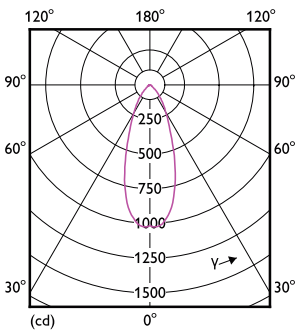
MR16 12V 8W-50W 621lm 36D 3000K GU5.3 ND

Product	D	C
CorePro LED spot ND 7-50W MR16 830 36D	50.5 mm	45 mm

Photometric data

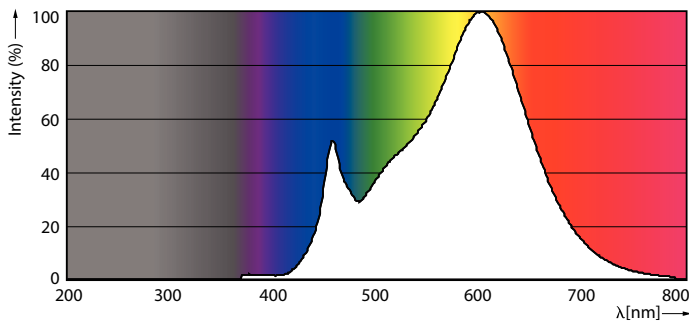


Calculux Photonics 4.5 Philips Lighting B.V. Page: 1/1



LEDspot Corepro 7-50W GU5.3 MR16 827 36D ND

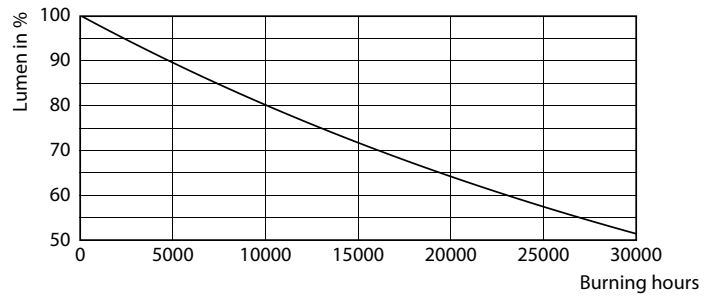
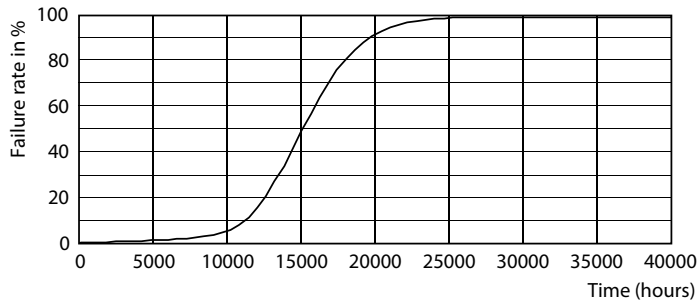
LEDspot Corepro 7-50W GU5.3 MR16 830 36D ND



LEDspot Corepro 7-50W GU5.3 MR16 830 36D ND

CorePro LEDspot LV

Lifetime



LEDspot Corepro 7-50W GU5.3 MR16 827 36D ND

LEDspot Corepro 7-50W GU5.3 MR16 827 36D ND

