



MASTER VALUE LEDs pot LV



MASTER LED spot VLE D 5.8-35W MR16 927 36D

Philips MASTER VALUE MR16 is the series of Low Voltage (12 VAC) Halogen MR16 replacements. Not only does it employ Philips' patented solution to guarantee the broadest possible compatibility with standard 12 V Halogen electronic transformers, it also delivers beam intensity which is equivalent to the 50 W Philips Halogen MR16 lamps. The form-factor of Philips MASTER Value LED MR16 guarantees a 100% form on the back-side of the lamp (exact fit with Halogen lamps.)

Warnings and Safety

- Operating temperature range is between -20° C and 45° C ambient
- Only to apply in dry or damp locations and most of open fixtures with lamp-holders that offer sufficient space (10 mm free air space)
- Not intended for use with emergency light fixtures or exit lights

Product data

General Information	
Cap base	GU5.3 [GU5.3]
EU RoHS compliant	Yes
Nominal lifetime (nom.)	25000 h
Switching cycle	50,000X
	Narrow Cone
Light Technical	
Colour Code	927 [CCT of 2,700 K]
Beam Angle (Nom)	36 °
Luminous flux (nom.)	450 lm
Luminous intensity (nom.)	1300 cd
Colour designation	Warm white (WW)

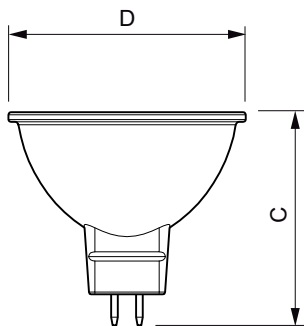
Correlated Colour Temperature (Nom)	2700 K
Luminous efficacy (rated) (nom.)	77.00 lm/W
Colour consistency	<6
Colour rendering index (nom.)	90
LLMF at end of nominal lifetime (nom.)	70 %
Luminous flux in 90° cone (rated)	450 lm
Operating and Electrical	
Input frequency	- Hz
Power (Rated) (Nom)	5.8 W
Lamp current (nom.)	510 mA
Wattage equivalent	35 W
Starting time (nom.)	0.5 s

MASTER VALUE LEDspot LV

Warm-up time to 60% light (nom.)	0.5 s
Power factor (nom.)	0.7
Voltage (Nom)	ac electronic 12 V
Temperature	
T-Case maximum (nom.)	85 °C
Mechanical and Housing	
Bulb shape	MR16 [2inch/50mm]
Approval and Application	
Energy Efficiency Class	G
Suitable for accent lighting	Yes
Energy consumption kWh/1,000 hours	6 kWh

	453173
Product Data	
Full product code	871951430718600
Order product name	MASTER LED spot VLE D 5.8-35W MR16 927 36D
EAN/UPC – product	8719514307186
Order code	30718600
SAP numerator – quantity per pack	1
Numerator – packs per outer box	10
SAP material	929002492502
SAP net weight (piece)	0.045 kg

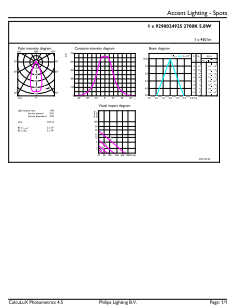
Dimensional drawing



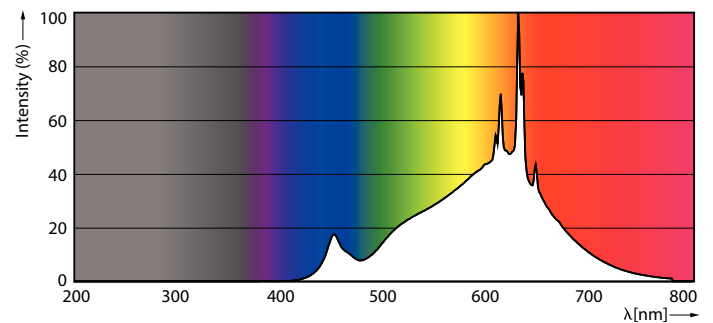
MR16 12V 5.5-35W 450lm 36D 2700K GU5.3 D

Product	D	C
MASTER LED spot VLE D 5.8-35W MR16 927 36D	50.5 mm	45.5 mm

Photometric data



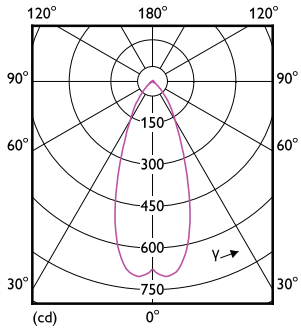
LEDspots MAS 5,8W MR16 GU5,3 927 36D



LEDspots MAS 5,8W MR16 GU5,3 927 36D

MASTER VALUE LEDspot LV

Photometric data



LEDspots MAS 5,8W MR16 GU5,3 927 36D

Lifetime



LEDspots LED 25K



LEDspots LMP 25K

