



MASTER VALUE LEDs pot LV



MASTER LEDspotLV DimTone 7.5-50W MR16 36D

Philips MASTER VALUE MR16 is the series of Low Voltage (12 VAC) Halogen MR16 replacements. Not only does it employ Philips' patented solution to guarantee the broadest possible compatibility with standard 12 V Halogen electronic transformers, it also delivers beam intensity which is equivalent to the 50 W Philips Halogen MR16 lamps. The form-factor of Philips MASTER Value LED MR16 guarantees a 100% form on the back-side of the lamp (exact fit with Halogen lamps.)

Warnings and Safety

- Operating temperature range is between -20° C and 45° C ambient
- Only to apply in dry or damp locations and most of open fixtures with lamp-holders that offer sufficient space (10 mm free air space)
- Not intended for use with emergency light fixtures or exit lights

Product data

General Information	
Cap base	GU5.3 [GU5.3]
EU RoHS compliant	Yes
Nominal lifetime (nom.)	25000 h
Switching cycle	50,000X
	Narrow Cone

Light Technical	
Colour Code	922-927 [CCT of 2,200 K-2,700 K]
Beam Angle (Nom)	36°
Luminous flux (nom.)	621 lm
Luminous intensity (nom.)	1100 cd
Colour designation	Warm Glow (WG)

Correlated Colour Temperature (Nom)	2200 2700 K
Luminous efficacy (rated) (nom.)	82.00 lm/W
Colour consistency	<6
Colour rendering index (nom.)	90
LLMF at end of nominal lifetime (nom.)	70 %
Luminous flux in 90° cone (rated)	621 lm

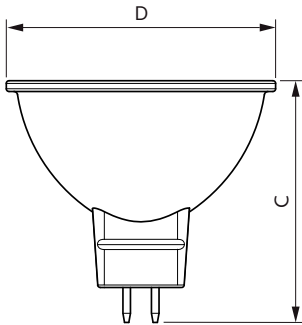
Operating and Electrical	
Input frequency	- Hz
Power (Rated) (Nom)	7.5 W
Lamp current (nom.)	670 mA
Wattage equivalent	50 W
Starting time (nom.)	0.5 s

MASTER VALUE LEDspot LV

Warm-up time to 60% light (nom.)	0.5 s
Power factor (nom.)	0.7
Voltage (Nom)	ac electronic 12 V
Temperature	
T-Case maximum (nom.)	95 °C
Mechanical and Housing	
Bulb shape	MR16 [2inch/50mm]
Approval and Application	
Energy Efficiency Class	F
Suitable for accent lighting	Yes
Energy consumption kWh/1,000 hours	8 kWh

	453186
Product Data	
Full product code	871951430744500
Order product name	MASTER LEDspotLV DimTone 7.5-50W MR16 36D
EAN/UPC – product	8719514307445
Order code	30744500
SAP numerator – quantity per pack	1
Numerator – packs per outer box	10
SAP material	929002493802
SAP net weight (piece)	0.045 kg

Dimensional drawing

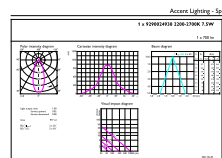
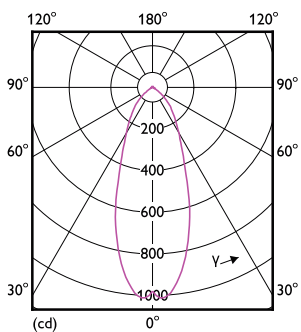


MR16 12V 7-50W 621lm 36D 2200-2700K

Product

MASTER LEDspotLV DimTone 7.5-50W MR16 36D

Photometric data

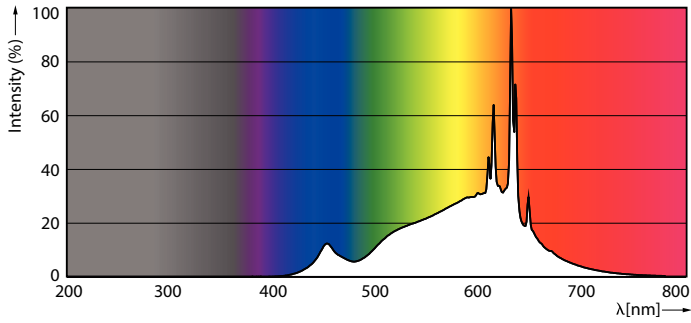


LEDspots MAS SLR 1 7,5W MR16 GU5,3 927 36D-LDD

LEDspots MAS SLR 1 7,5W MR16 GU5,3 927 36D-ADL

MASTER VALUE LEDspot LV

Photometric data



LEDspots MAS SLR 17,5W MR16 GU5,3 927 36D-POC

Lifetime



LEDspots LED 25K



LEDspots LMP 25K

