



MASTER LEDspot ExpertColor LV



MASTER LED ExpertColor 6.7-35W MR16 930 36D

MASTER LEDspot LV ExpertColor creates a warm and comfortable ambience for hospitality venues, homes and restaurants. It creates such an ambience with superior lighting that has a customised spectrum, high CRI and deep dimming feature. The result? A beautiful lighting experience. What's more, the innovative, trimless lens design will suit almost any interior decor with its clean and neat look. In addition, you can take advantage of the full ExpertColor family, which also includes LEDspot MV lamps.

Product data

| General Information | |
|--|-----------------------|
| Cap base | GU5.3 [GU5.3] |
| EU RoHS compliant | Yes |
| Nominal lifetime (nom.) | 40000 h |
| Switching cycle | 50,000X |
| | Narrow Cone |
| Light Technical | |
| Colour Code | 930 [CCT of 3,000 K] |
| Beam Angle (Nom) | 36 ° |
| Luminous flux (nom.) | 440 lm |
| Luminous intensity (nom.) | 1400 cd |
| Colour designation | White (WH) |
| Correlated Colour Temperature (Nom) | 3000 K |
| Luminous efficacy (rated) (nom.) | 65.00 lm/W |
| Colour consistency | <3 |
| Colour rendering index (nom.) | 97 |
| LLMF at end of nominal lifetime (nom.) | 70 % |

| Luminous flux in 90° cone (rated) | 440 lm |
|-----------------------------------|----------------------------|
| Operating and Electrical | |
| Input frequency | - Hz |
| Power (Rated) (Nom) | 6.7 W |
| Lamp current (nom.) | 650 mA |
| Wattage equivalent | 35 W |
| Starting time (nom.) | 0.5 s |
| Warm-up time to 60% light (nom.) | 0.5 s |
| Power factor (nom.) | 0.7 |
| Voltage (Nom) | ac electronic 12 V |
| Temperature | |
| T-Case maximum (nom.) | 92 °C |
| Controls and Dimming | |
| Dimmable | Only with specific dimmers |

MASTER LEDspot ExpertColor LV

Mechanical and Housing

Bulb shape MR16 [2inch/50mm]

Approval and Application

Energy Efficiency Class G

Suitable for accent lighting Yes

Energy consumption kWh/1,000 hours 7 kWh

624223

Product Data

Full product code 871951435861400

Order product name MASTER LED ExpertColor 6.7-35W MR16 930 36D

EAN/UPC – product 8719514358614

Order code 35861400

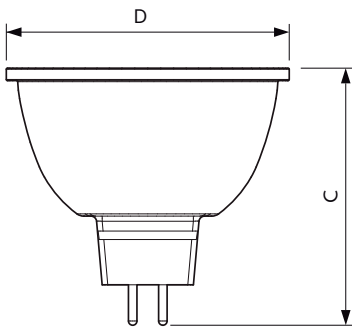
SAP numerator – quantity per pack 1

Numerator – packs per outer box 10

SAP material 929003079502

SAP net weight (piece) 0.052 kg

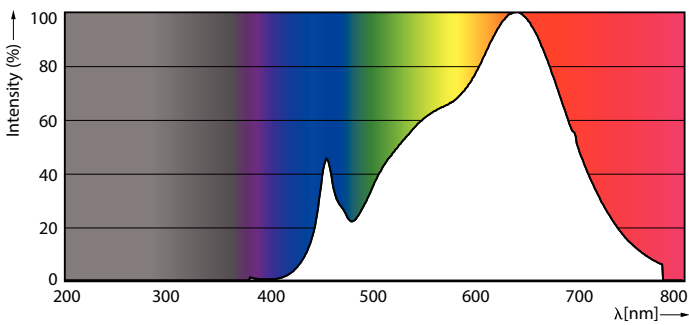
Dimensional drawing



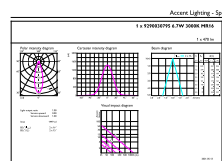
MASTER LED ExpertColor 6.7-35W MR16 930 36D

| Product | D | C |
|---|---------|-------|
| MASTER LED ExpertColor 6.7-35W MR16 930 36D | 50.5 mm | 46 mm |

Photometric data



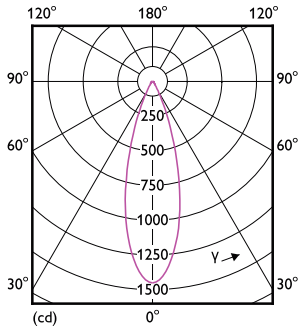
LEDspots MAS IC 6,7W MR16 GU5,3 930 60D-POC



LEDspots MAS IC 6,7W MR16 GU5,3 930 36D-ADL

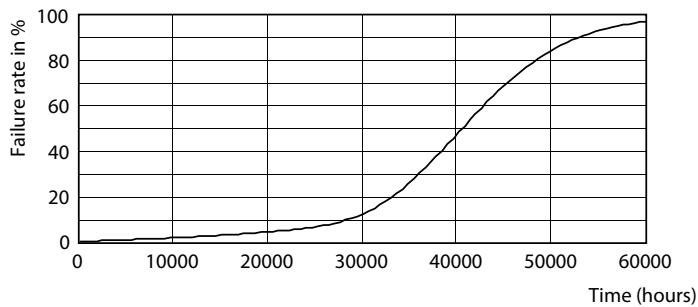
MASTER LEDspot ExpertColor LV

Photometric data

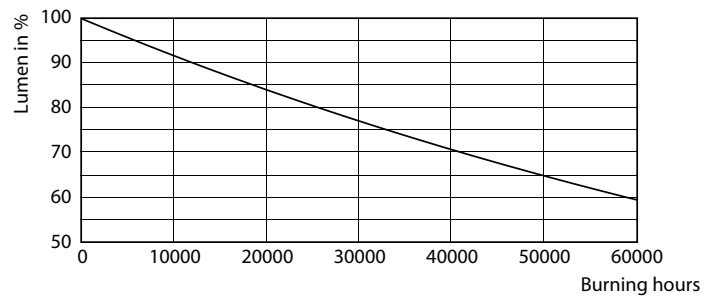


LEDspots MAS IC 6,7W MR16 GU5,3 930 36D-LDD

Lifetime



LEDspots LED 40K



LEDspots LMP 40K

