

Product Data Sheet



Product Code: BXM28	Issue No. A	Issue Date: 16/08/2018	Issue by: T. Tombs.
----------------------------	-----------------------	---------------------------	------------------------

Description

Multi-purpose enclosure with earth and neutral bars. Can be fitted with DIN rail mounting equipment up to 28 modules in two banks of 14 modules.

The enclosure can be mounted as a free standing unit or on top of a BX range MCB board.

Full 35mm DIN rail mounted in center of enclosure.



General Characteristics

Standards.	BS EN 61439-1
Voltage rating (maximum).	230 / 400V ac equipment can be fitted.
Enclosure.	Folded mild steel, 1.2mm cold rolled. Powder coated epoxy paint finish to RAL7035 matt grey. Electrostatically applied. An internal screen is provided for device screening.
IP Rating.	IP3X
Cable entry facility.	Top & bottom endplates removable for ease of cutting.
Door.	Side hinged solid door (removable) c/w metal turn catch.
Number of 17.5mm modules	28 (2 x 14 mods).
Equipment type.	Fixed stationary
Weight.	

Switchgear Fitted

Device	Rating
None.	

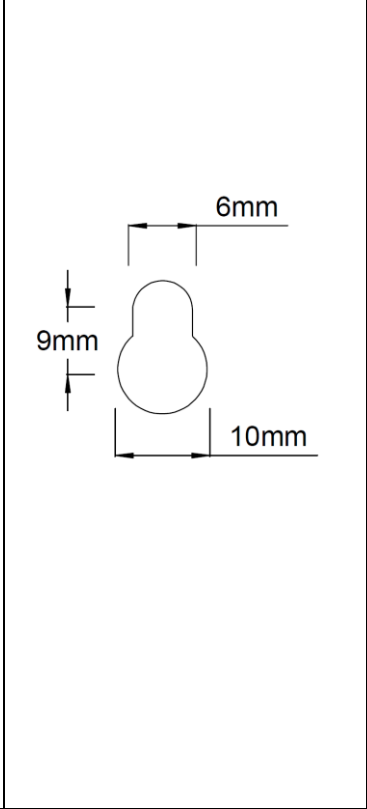
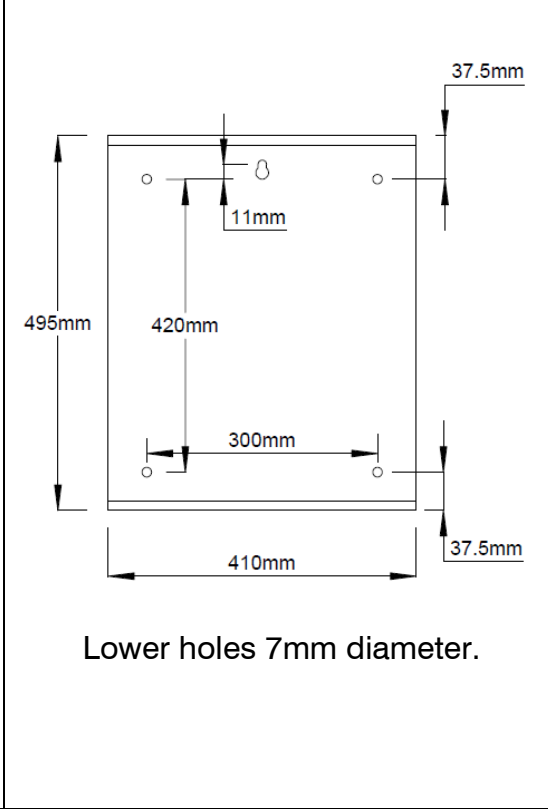
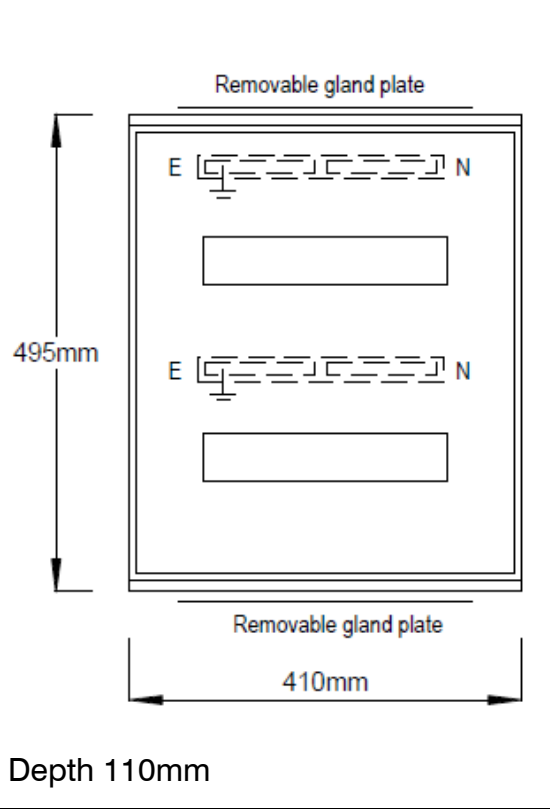
Outgoing Switchgear ordered separately.

Product Data Sheet



Product Code: BXM28	Issue No. A	Issue Date: 16/08/2018	Issue by: T. Tombs
Description 28 module multi-purpose enclosure.			

Key Dimensions	Mounting hole positions	Key hole - top
----------------	-------------------------	----------------



Additional information.

Usage

Intended for use by skilled persons or instructed persons.

Electrical

Earth & Neutral terminals

Rated frequency: 50Hz.

Rated operational voltage: 230 / 400V ac.

Rated insulation voltage:

Earthing system:

EMC environment: Environment type A.

Physical

Ambient operating temperature -5 to 40 °C

(Not exceeding average of 35 °C in any 24 hour period).

Maximum altitude 2000m.

Enclosure: Mild Steel.

Installation

Service conditions: Wiring of this product must comply with current IEE regulations. Units are intended for indoor use and dry conditions and **NOT** where high levels of humidity and temperature are experienced.

Note: IP rating of enclosures can be compromised if correct use of glands is not followed when installing unit.