

# Product Data Sheet



Product Code: <b>CBX122/I250</b>	Issue No. <b>B</b>	Issue Date: 03/07/2017	Issue by: T. Tombs
-------------------------------------	-----------------------	---------------------------	-----------------------

## Description:

250A 12W + 2W combined TP mcb board. 12 ways max. 63A. 2 ways 80A, 100A or 125A type C mcb only.

## General Characteristics

Standards.	BS EN 61439-1 & 3.
Current rating.	250A.
Voltage rating.	230 / 400V a.c.
Fault current rating	10kA Icc.
Enclosure.	1.6mm cold rolled steel with an epoxy paint finish to RAL7035 matt grey. Bolted construction to BS EN 61439:Pt1 & 3:2011
IP Rating.	IP 3X
Pollution degree.	3
No of poles.	3 + neutral
Incomer terminal capacity.	Tunnel terminal 120mm.sq.
Incomer terminal tightening torque.	6 Nm.
Cable entry facility.	Top & bottom endplates removable for ease of cutting.
Covers / Door.	Screw fixed covers. Hinged door (removable) c/w metal turn catch over outgoing breakers.
No of Outgoing TP mcb ways.	12 up to 63A + 2 – 80A, 100A or 125A.
Equipment type.	Fixed stationary
Weight.	



## Switchgear Fitted

Device	Rating
TP isolator incomer – MC250TNA	250A



## General Device Specification – Outgoing Switchgear ordered separately

<b>MCB's:</b>	6A to 40A (10kA) and 50A, 63A (6kA) SP & TP. 230/400V ac. Terminal capacity 25mm sq. to BSEN 60898. 80A, 100A, 125A SP & TP Type C 10kA 230/400V ac. Terminal capacity 50mm sq. to BS EN 60898. Please refer to Device data sheet for further information. Key lock available for outgoing door – product code – <b>XLKL</b> . Clear door available – add / <b>CD</b> to end of product code.
---------------	--

# Product Data Sheet

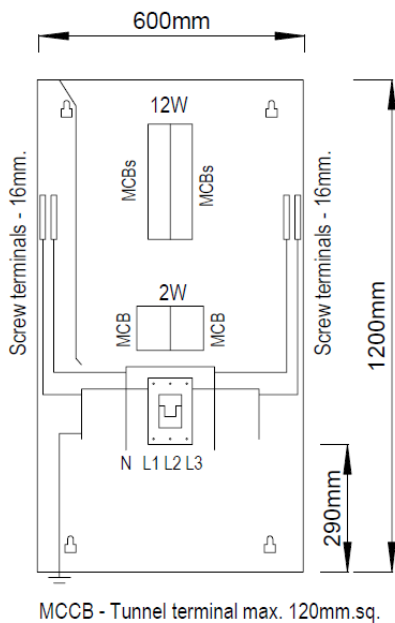


Product Code: <b>CBX122/I250</b>	Issue No. <b>B</b>	Issue Date: 03/07/2017	Issue by: T. Tombs
-------------------------------------	-----------------------	---------------------------	-----------------------

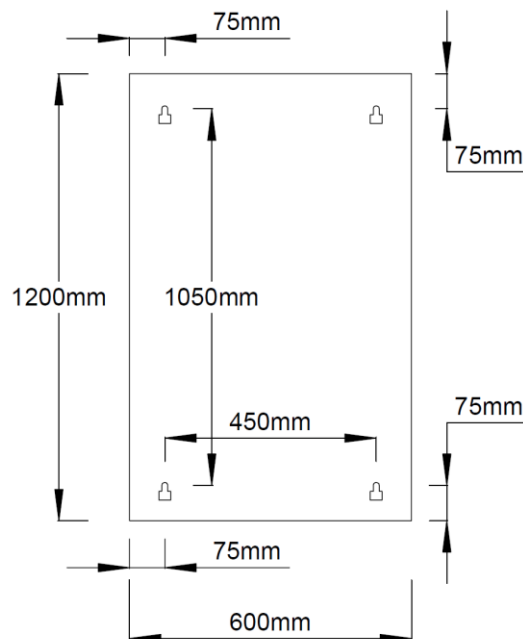
## Description

250A 12W + 2W combined TP mcb board. 12 ways max. 63A. 2 ways 80A, 100A or 125A type C mcb only.

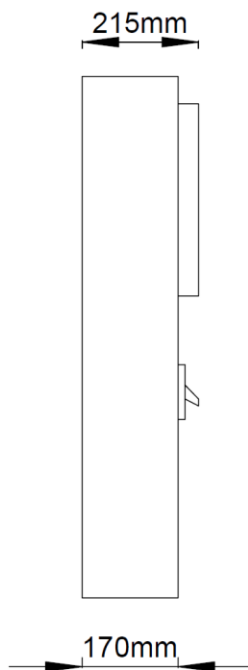
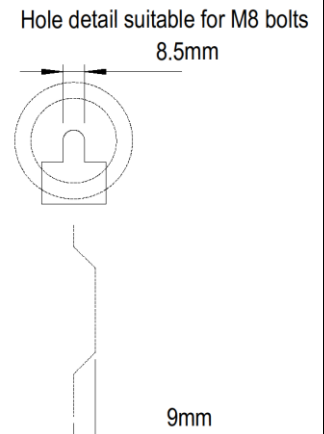
## Key Dimensions



## Mounting hole positions



## Wall fixing hole



## Additional information.

### Usage

Intended for use by skilled persons or instructed persons.

### Electrical

Earth & Neutral main bar - M8 bolts – tightening torque 20Nm.

Side moulded bars – 16mm.sq. max. - tightening torque 1.7Nm.

Rated frequency: 50/60Hz.

Rated operational voltage: 230/400V a.c.

Rated insulation voltage: 250/440V a.c.

Earthing system: Suitable for use with TN-S, TN-C-S and TT systems.

Insulated gland plates available on request.

EMC environment: Environment type A.

### Physical

Ambient operating temperature -5 to 40 °C

(Not exceeding average of 35 °C in any 24 hour period).

Maximum altitude 2000m.

Enclosure: Enclosed assembly galvanised base and internal steel work, external steel work (sides, end, covers and doors) powder coated in hardwearing epoxy matt light grey paint to RAL 7035.

### Installation

Service conditions: Wiring of this product must comply with current IEE regulations. Units are intended for indoor use and dry conditions and **NOT** where high levels of humidity and temperature are experienced.

Note: IP rating of enclosures can be compromised if correct use of glands is not followed when installing unit.