

# Product Data Sheet



Product Code: <b>CO/204</b>	Issue No.	Issue Date:	Issue by:
SCL	<b>A</b>	04/11/2016	T. Tombs.

## Description:

Manually operated, 20A, 4 pole changeover switch.

## General Characteristics

Standards.	IEC / EN 60947-3
Current rating.	20A AC-21 4 kW AC-3
Voltage rating.	230 / 400V ac
Mechanism.	2 position and Off. Not padlockable.
Enclosure.	Polycarbonate. Lid - 100% Polycarbonate. Base – 90% Polycarbonate with 10% glass.



IP Rating.	65
Pollution degree.	3
No of poles.	4, switched.
Terminal capacity.	4mm.sq.
Terminal tightening torque.	1.2 Nm
Cable entry facility.	4 x M20/25.
Knock outs.	2 in top, 2 in bottom.
Covers / Door.	Screw on cover. Captive cover screws.

## Terminal numbers.

Input:

Supply 1: L1-1, L2-5, L3-9, N-13.

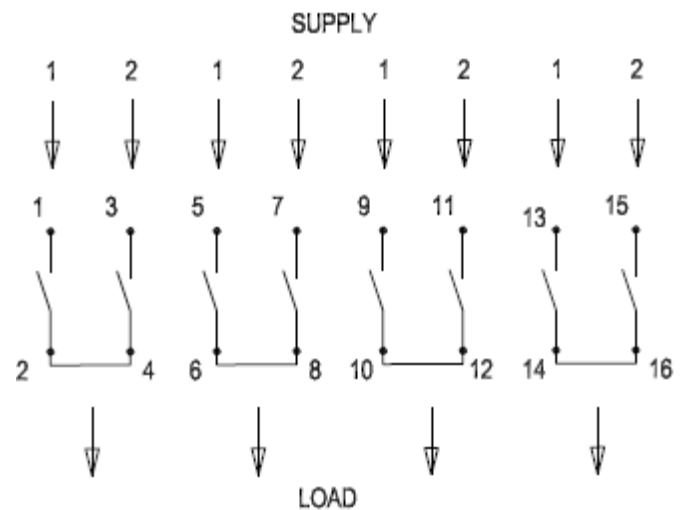
Supply 2: L1-3, L2-7, L3-11, N-15.

Common: L1-2 & 4, L2-6 & 8, L3-10 & 12, N-14&16.

Equipment type.	Fixed stationary
Weight.	430g

## Switchgear Fitted

Device	Rating
4 pole changeover switch	20A



No accessories available.

# Product Data Sheet

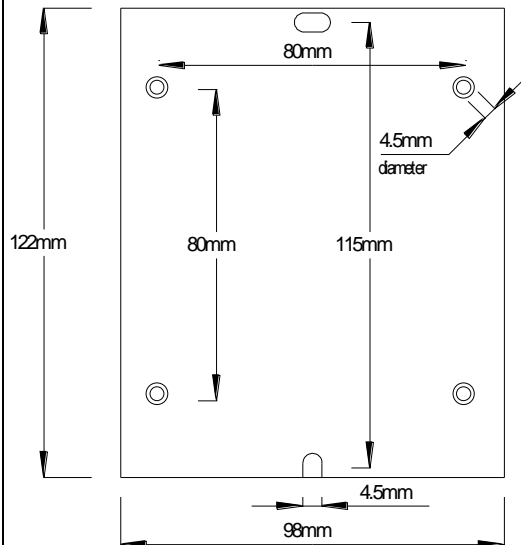
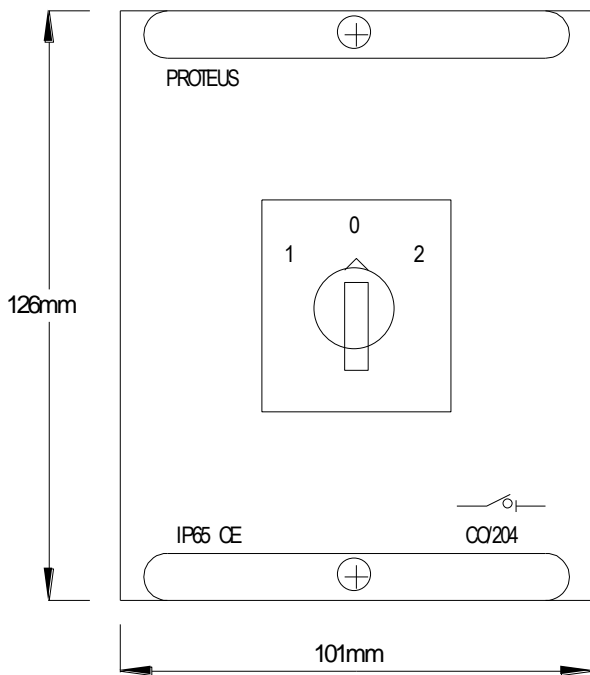


Product Code: <b>CO/204</b>	Issue No. <b>A</b>	Issue Date: <b>04/11/2016</b>	Issue by: <b>T. Tombs.</b>
<b>Description:</b> Manually operated, 20A, 4 pole changeover switch.			

## Key Dimensions

## Mounting hole positions

Depth over handle – 121mm



## Additional information.

### Usage

Intended for use by skilled persons or instructed persons.

### Electrical

Earth & Neutral terminals

Rated frequency: 50 / 60Hz.

Rated operational voltage: 230 / 400V ac

Rated insulation voltage: 690V

Earthing system:

EMC environment: Environment type A.

### Physical

Ambient operating temperature -5 to 40 °C

(Not exceeding average of 35 °C in any 24 hour period).

Maximum altitude 2000m.

Enclosure: Polycarbonate.

### Installation

Service conditions: Wiring of this product must comply with current IEE regulations. Units are intended for indoor use and dry conditions and **NOT** where high levels of humidity and temperature are experienced.

Note: IP rating of enclosures can be compromised if correct use of glands is not followed when installing unit.