

Product Code	Product Range	Issue No.	Issue Date	Issue By
E32TN esw	Euro Range	C	August 2025	T.T

Description

32A, 3 pole switch disconnecter with neutral clamp.

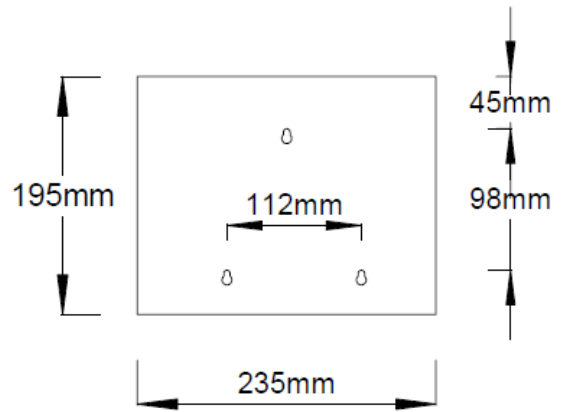
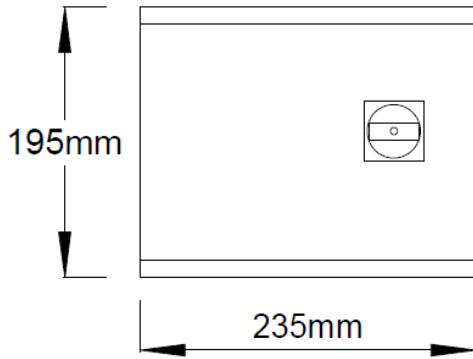
Features

Modern design to latest standards.
Suitable for isolation.
Robust construction.



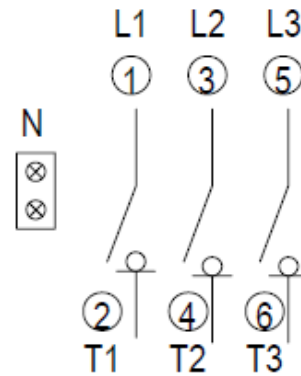
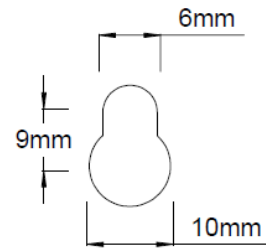
Standards: Switch.	BS EN 60947-1, BS EN 60947-3.
Current Rating	32A
Switching duty	32A AC22A @ 690V. 32A AC23A @ 415V. 25A AC23A @ 500V & 690V
Voltage Rating	230 / 400V. Up to 690V maximum.
Fault Current Rating	10kA.
Insulation voltage (Ui)	800V
Uimp (kV)	8
Rated frequency	50 Hz.
IP Rating	IP3X
Pollution Degree	3
No. of Poles	3 switched and solid neutral
Switch terminal capacity	10mm ² – torque 1.2 Nm, cross head screw
Equipment Type	Fixed
Weight	2.25 kg
EMC environment	A
Maximum altitude	2000m
Operating ambient temp.	-5 to 40°C. Not exceeding average of 35°C in any 24 hour period.
Enclosure	0.9mm mild steel. 1.2mm steel, riveted end plates.
Handle	ON, OFF and LOCK. Lock prevents door opening.
Cable entry facility	Fixed plate with dual knockouts. 1x 20/25mm, 1x 25/32mm each end.
Accessories	Switched neutral pole – part no. EN20/32 Auxiliary contact, 1NO, 1NC – part no. M2A11

Product Code	Product Range	Issue No.	Issue Date	Issue By
E32TN esw	Euro Range	C	August 2025	T.T



Enclosure depth: 125mm + 35mm handle

Fixing foot detail



Installation

Service conditions: Wiring of this product must comply with current IEE regulations. Units are intended for indoor use and dry conditions and **NOT** where high levels of humidity and temperature are experienced.

Note: IP rating of enclosures can be compromised if correct use of glands is not followed when installing unit.