

Product Code	Product Range	Issue No.	Issue Date	Issue By
<b>EF100TN</b> esw	Euro Range	C	August 2025	T.T

### Description

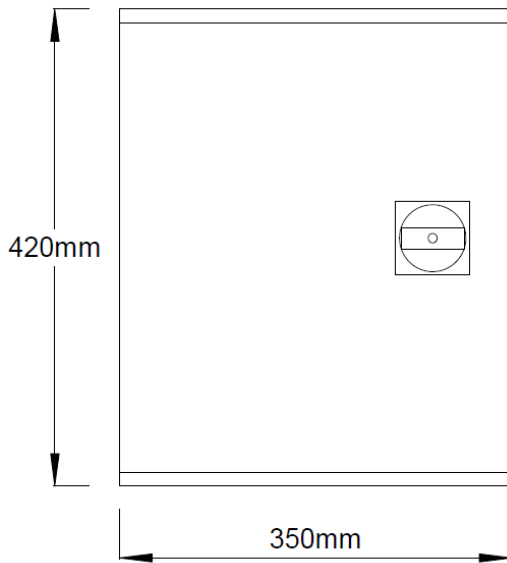
100A, 3 pole switch disconnecter fuse with neutral clamp.  
BS88 part 2 bolt-in fuses.

### Features

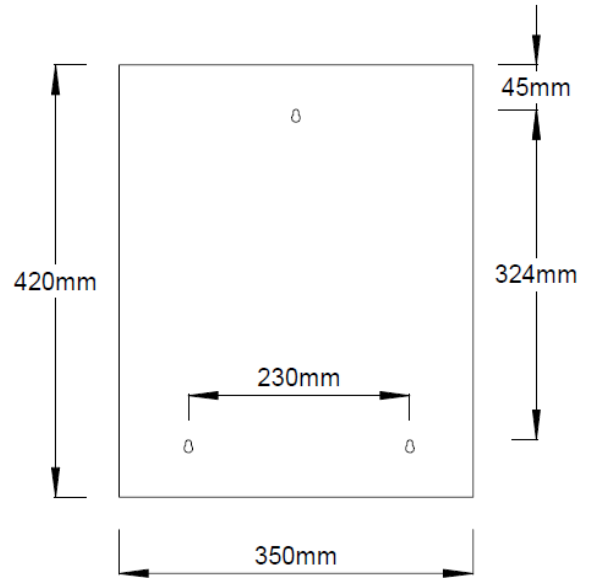
Modern design to latest standards.  
Suitable for isolation.  
Robust construction.



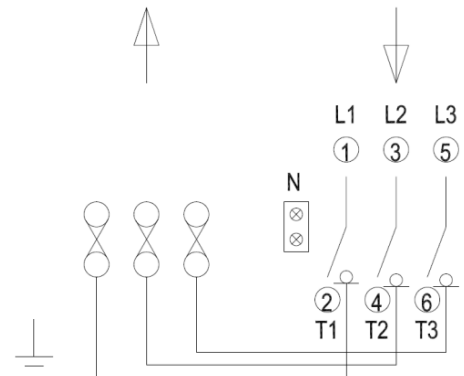
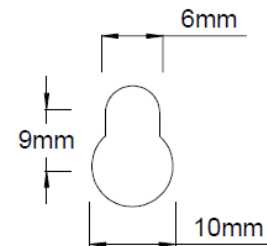
Standards: Switch.	BS EN 60947-1, BS EN 60947-3.
Fuse base and carrier	IEC 60269-2.
Current Rating	100A
Switching duty	AC21A, AC22A, AC23A.
Voltage Rating	230 / 400V, 240 / 415V.
Fault Current Rating	20kA.
Insulation voltage (Ui)	800V
Uimp (kV)	8
Rated frequency	50 Hz.
Fuse type	BS88 pt 2, type A4C. Watts loss: 7.5W. Type TCP.
IP Rating	IP3X
Pollution Degree	3
No. of Poles	3 switched and solid neutral
Switch terminal capacity	70mm <sup>2</sup> – torque 6 Nm, 4mm Allan bolt.
Fuse base terminal capacity	35mm <sup>2</sup> sq. – torque 4 Nm, slot head screw
Neutral link	M8 bolt – 15 Nm
Equipment Type	Fixed
Weight	8 kg
EMC environment	A
Maximum altitude	2000m
Operating ambient temp.	-5 to 40°C. Not exceeding average of 35°C in any 24 hour period.
Enclosure	0.9mm mild steel. 1.2mm steel, riveted end plates.
Handle	ON, OFF and LOCK. Lock prevents door opening.
Cable entry facility	Fixed plate with dual knockouts. 1x 20/25mm, 1x 25/32mm each end.
Accessories	Switched neutral pole – part no. EN100 Auxiliary contact, 1NO, 1NC – part no. M2A11



Enclosure depth: 145mm + 35mm handle



Fixing foot detail



### Installation

Service conditions: Wiring of this product must comply with current IEE regulations. Units are intended for indoor use and dry conditions and **NOT** where high levels of humidity and temperature are experienced.

Note: IP rating of enclosures can be compromised if correct use of glands is not followed when installing unit.