

Product Code	Product Range	Issue No.	Issue Date	Issue By
EF32TN esw	Euro Range	C	August 2025	T.T

Description

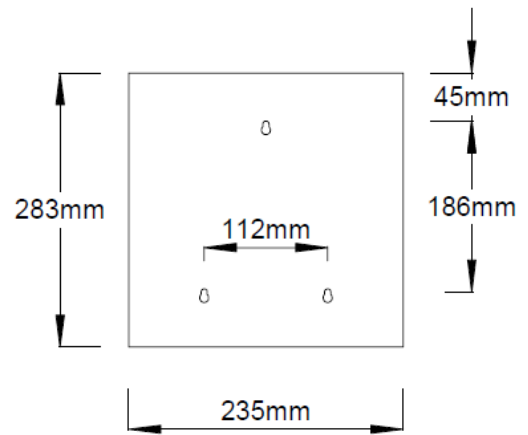
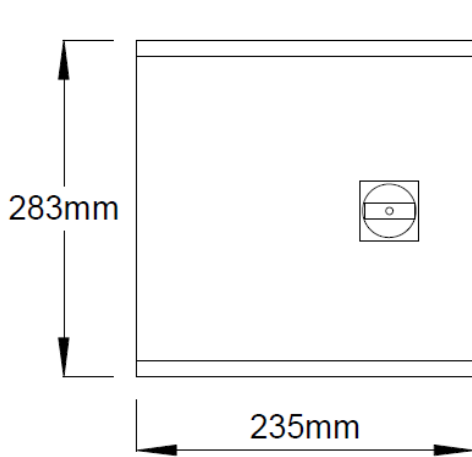
32A, 3 pole switch disconnecter fuse with neutral clamp.
BS88 part 6 clip in fuses.

Features

Modern design to latest standards.
Suitable for isolation.
Robust construction.

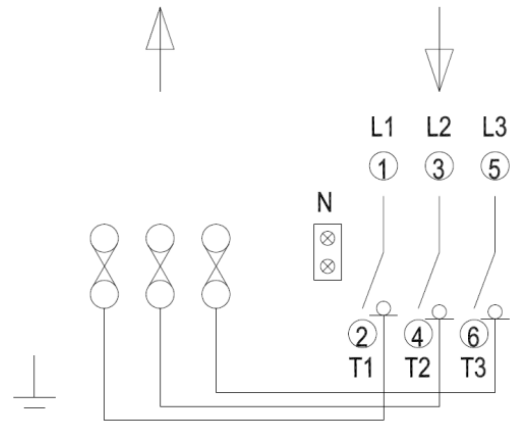
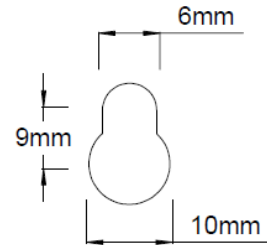


Standards: Switch.	BS EN 60947-1, BS EN 60947-3.
Fuse base and carrier	IEC 60269-2.
Current Rating	32A
Switching duty	AC21A, AC22A, AC23A.
Voltage Rating	230 / 400V, 240 / 415V.
Fault Current Rating	10kA.
Insulation voltage (Ui)	690V
Uimp (kV)	8
Rated frequency	50 Hz.
Fuse type	BS88 pt 6, type F1. Watts loss: 3.1W. Type NSD.
IP Rating	IP3X
Pollution Degree	3
No. of Poles	3 switched and solid neutral
Switch terminal capacity	10mm ² – torque 1.2 Nm, cross head screw
Fuse base terminal capacity	16mm ² sq. – torque 3 Nm, slot head screw
Equipment Type	Fixed
Weight	3.23 kg
EMC environment	A
Maximum altitude	2000m
Operating ambient temp.	-5 to 40°C. Not exceeding average of 35°C in any 24 hour period.
Enclosure	0.9mm mild steel. 1.2mm steel, riveted end plates.
Handle	ON, OFF and LOCK. Lock prevents door opening.
Cable entry facility	Fixed plate with dual knockouts. 1x 20/25mm, 1x 25/32mm each end.
Accessories	Switched neutral pole – part no. EN20/32 Auxiliary contact, 1NO, 1NC – part no. M2A11



Enclosure depth: 125mm + 35mm handle

Fixing foot detail



Installation

Service conditions: Wiring of this product must comply with current IEE regulations. Units are intended for indoor use and dry conditions and **NOT** where high levels of humidity and temperature are experienced.

Note: IP rating of enclosures can be compromised if correct use of glands is not followed when installing unit.