

Product Code	Product Range	Issue No.	Issue Date	Issue By
M21604	ROTARY ISOLATORS	A	08-08-2024	BS

Description

160A 4 Pole Rotary Isolator Switch IP65

Features

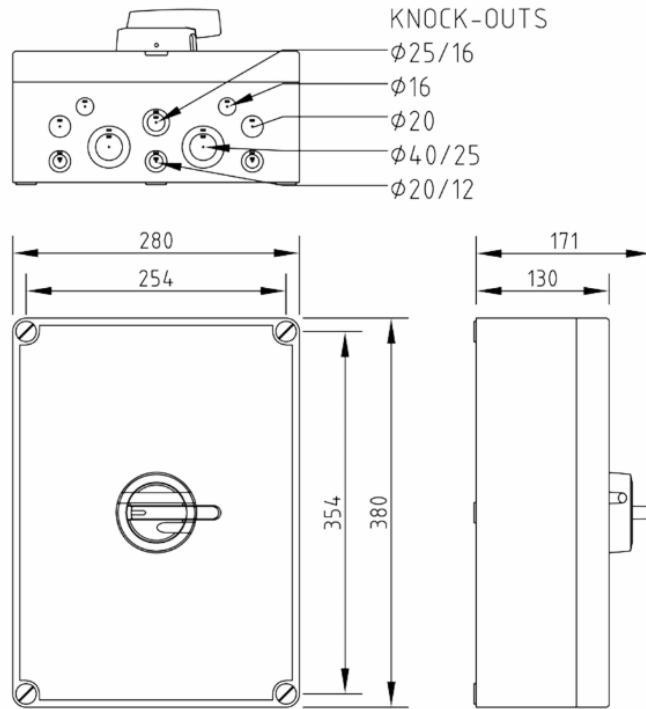
- Padlockable with 3 locks
- Door interlock with defeat mechanism
- Excellent insulating properties
- Good UV resistance
- Good resistance against many chemicals
- Wide operating temperature range

General Characteristics

Standards	BSEN 60947-3
Current Rating	160A AC21 @400V/690V 160A AC22 @400V/690V 160A/90kW AC23 @400V 100A/90kW AC23 @690V
Rated Insulation Voltage Ui	800V
Rated short-time withstand current Icw (kA) 1s	5kA @690V
Rated breaking capacity Icu (A)	1280A @400V (AC23) 800A @690V (AC23)
Terminal Capacity	6-70mm ²
Terminal Tightening Torque	6Nm
Cable Entry	Top/Bottom knock-out glands
Electrical Life (ops)	2000
Mechanical Life (ops)	16000
Enclosure	Polycarbonate
IP Rating	IP65
Weight	3.4kg



Dimensions



Additional information

Usage	Intended for use by skilled persons or instructed persons.
Electrical	EMC environment: Environment type A.
Installation	Service conditions: Wiring of this product must comply with current IEE regulations. Aluminium cables cannot be connected directly to switch terminals. The IP rating of enclosures can be compromised if the correct use of glands is not followed when installing the unit.