

Product Code	Product Range	Issue No.	Issue Date	Issue By
M22504	ROTARY ISOLATORS	A	08-08-2024	BS

Description

250A 4 Pole Rotary Isolator Switch IP65

Features

- Padlockable with 3 locks
- Door interlock with defeat mechanism
- Excellent insulating properties
- Good UV resistance
- Good resistance against many chemicals
- Wide operating temperature range

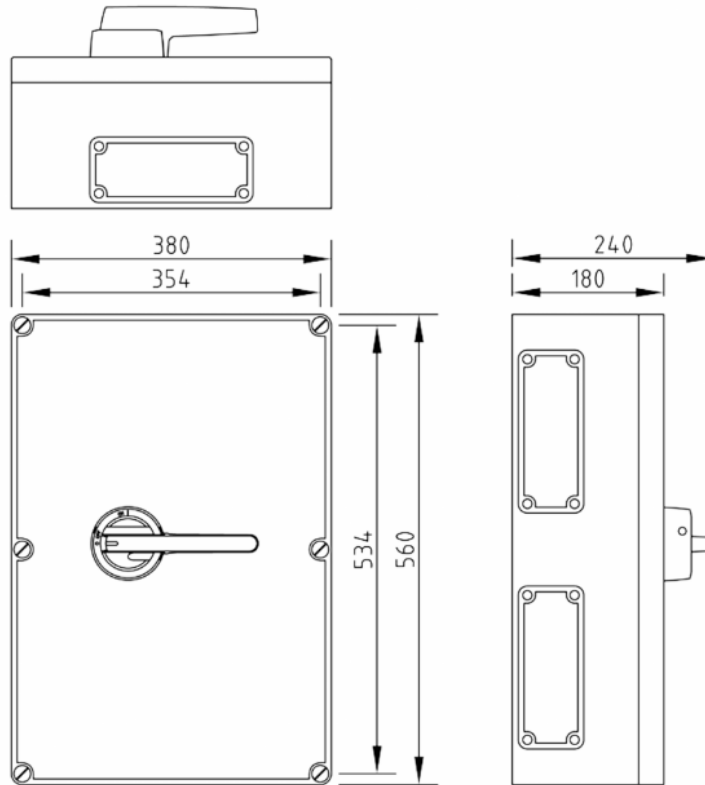
General Characteristics

Standards	BSEN 60947-3
Current Rating	250A AC21 @400V/690V 250A AC22 @400V/690V 250A AC23 @400V/690V
Rated Insulation Voltage Ui	1000V
Rated short-time withstand current Icw (kA) 1s	8kA @690V
Rated breaking capacity Icu (A)	2000A @400V (AC23) 2000A @690V (AC23)
Terminal Width/Bolt Size	*20mm, M8
Terminal Tightening Torque	15-22Nm
Cable Entry	Top/Bottom
Electrical Life (ops)	2000
Mechanical Life (ops)	16000
Enclosure	Polycarbonate
IP Rating	IP65
Weight	8.3kg

* Terminal size for typical 120mm² cable



Dimensions



Additional information

Usage	Intended for use by skilled persons or instructed persons.
Electrical	EMC environment: Environment type A.
Installation	Service conditions: Wiring of this product must comply with current IEE regulations. Aluminium cables cannot be connected directly to switch terminals. The IP rating of enclosures can be compromised if the correct use of glands is not followed when installing the unit.