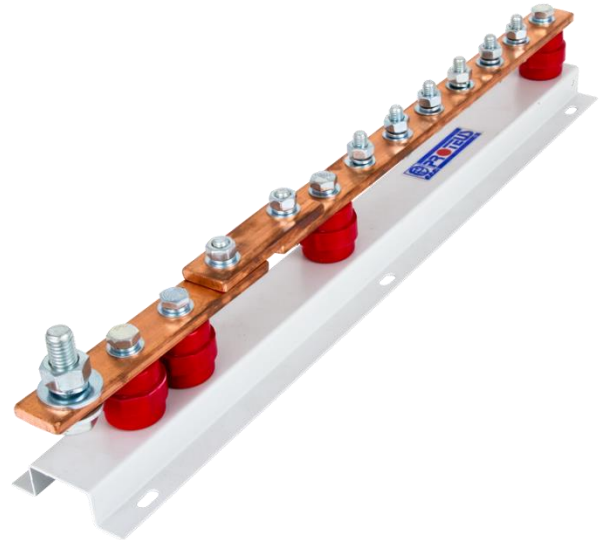


Product Data Sheet

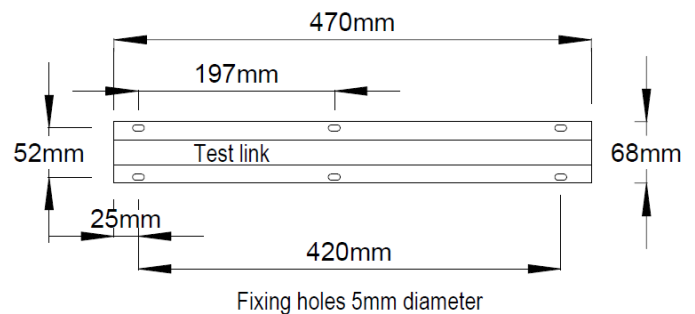


Product Code: PEBTL6	Issue No. A	Issue Date: 19 /04 /2017	Issue by: T. Tombs.
-----------------------------	-----------------------	-----------------------------	------------------------

Description	
6 way earth bar with test link for wall or surface mounting.	
General Characteristics	
Standards.	BSEN 61439-1 (electrical) BSEN 13601 (copper bar)
Fault current rating. I _{cw}	15 kA for 1 second.
Peak current - I _{pk}	30kA.
Current rating (continuous).	400A
Pollution degree	III
Copper bar size. CSA.	25 x 6mm. 150mm.sq.
1 x Main earth terminal bolt	1 x M12 bolt.
Main bolt tightening torque	54 - 56 Nm.
No of outgoing connections	6 x M8 bolts.
M8 tightening torque	20 Nm.
Number of test links	1
Overall length	470 mm
Equipment type.	Fixed stationary
Approx. weight	1.72 kg



Mounting bracket fixing holes.



Usage.
Intended for use by skilled persons or instructed persons.

Installation
Service conditions: Wiring of this product must comply with current IEE regulations. Units are intended for indoor use and dry conditions and **NOT** where high levels of humidity and temperature are experienced.