

# Product Data Sheet



Product Code: <b>U630S</b>	Issue No.	Issue Date:	Issue by:
----------------------------	-----------	-------------	-----------

<b>Description</b>	<b>A</b>	02/05/2019	T. Tombs
--------------------	----------	------------	----------

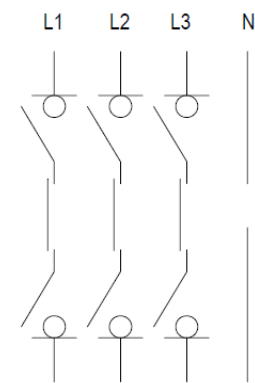
630A 3 pole switch-disconnector with bolted neutral link. Metal enclosure to IP3X/2X (at vents).

**General Characteristics**

Standards.	BSEN 60947-1, BSEN 60947-3.
Current rating.	630A AC21 & AC22A 630A AC23A.
Voltage rating.	230 / 400V ac. 50/60Hz.
Fault current rating. RMS.	65 kA with remote backup 630A BS88 fuse.
No Fuses	Solid copper links fitted.
Torque	20 Nm
Enclosure. Finish: RAL 7035 Matt.	1.6mm mild steel case. Bolted end plates 1.6mm mild steel, Paint finish electrostatically applied.
Handle.	Padlockable OFF. Push red button to reveal padlock access slot. Lock not provided.
IP Rating.	3X / 2X at vents.
Impulse (U imp)	8 kV.
Pollution degree.	3



No of poles.	3 switched. Bolted neutral.
Incomer terminal capacity.	M12 bolt. 300mm <sup>2</sup> with built in spreader box. Pad width 40mm.
Incomer terminal tightening torque.	56 Nm
Cable entry facility. Top & bottom.	Blank removable steel endplates.
Covers / Door.	Door - Interlocked with handle. Access only when switched OFF.
Equipment type.	Fixed stationary
Approx. Weight.	45 kg
<b>Switchgear Fitted</b>	
Device	Rating
3 x 630A solid copper links.	630A.



**Accessories.** None

Note: This switch disconnector cannot be fitted with fuses.

# Product Data Sheet



Product Code: **U630S**

Issue No.

Issue Date:

Issue by:

**A**

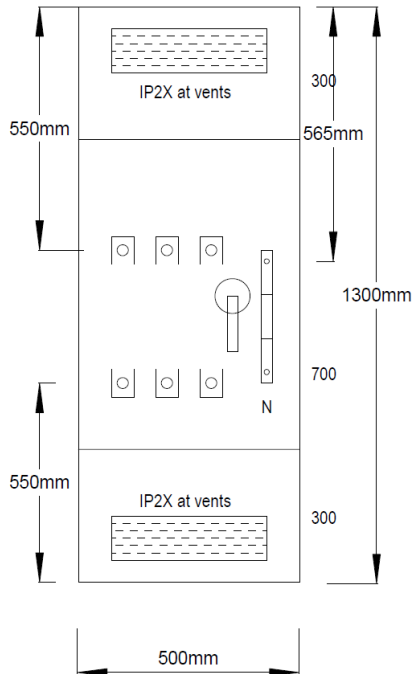
02/05/2019

T. Tombs

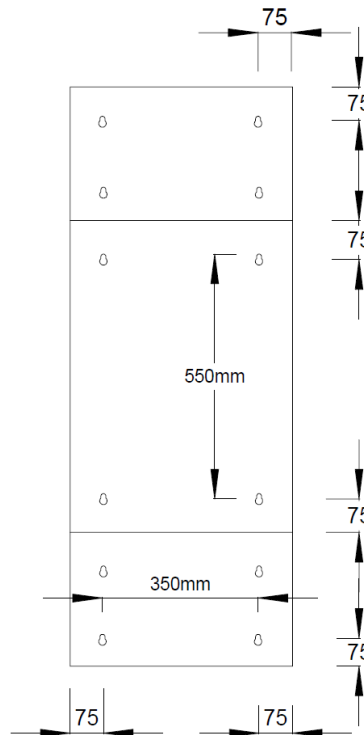
## Description

630A 3 pole switch-disconnector with bolted neutral link. Metal enclosure to IP3X/2X (at vents).

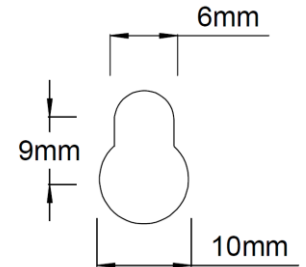
## Key Dimensions



## Mounting hole positions



## Fixing foot detail



## Additional information.

### Usage

Intended for use by skilled persons or instructed persons.

### Electrical

Earth & Neutral terminals : Earth bolt M10. Neutral bolt M10.

Rated frequency: 50 / 60Hz.

Rated operational voltage: 230 / 400V

Rated insulation voltage  $U_i$ : 1000V

Fuses: None. Solid copper links fitted.

EMC environment: Environment type A.

### Physical

Ambient operating temperature -5 to 40 °C

(Not exceeding average of 35 °C in any 24 hour period).

Maximum altitude 2000m.

**Installation:** Service conditions: Wiring of this product must comply with current IEE regulations. Units are intended for indoor use and dry conditions and **NOT** where high levels of humidity and temperature are experienced.

Note: IP rating of enclosures can be compromised if correct use of glands is not followed when installing unit.

