

Product Data Sheet



Product Code: XL20S125	Issue No. A	Issue Date: 30/10/2017	Issue by: T. Tombs
----------------------------------	-----------------------	---------------------------	-----------------------

Description

20 Way TP mcb distribution board with 125A TP switch disconnecter incomer. Max. mcb – 63A.

General Characteristics

Standards.	BS EN 61439-1&3
Current rating.	125A - AC22B.
Voltage rating.	400V a.c.
Fault current rating.	10kA Icc.
Enclosure.	1.2mm cold rolled steel with an epoxy paint finish to RAL7035 matt grey.
IP Rating.	IP 3X
Pollution degree.	3
No of poles.	3 + neutral
Incomer terminal capacity.	50mm.sq.
Incomer terminal tightening torque.	2 – 2.5 Nm.
Cable entry facility.	Top & bottom endplates removable for ease of cutting.
Covers / Door.	Side hinged solid door (removable) c/w metal turn catch.
No of Outgoing TP ways.	20
Equipment type.	Fixed stationary
Weight.	17.03 kg



Switchgear Fitted

Device	Rating
3 pole switch disconnecter	125A

General Device Specification – Outgoing Switchgear ordered separately

MCB:	Please refer to Device data sheet for further information. 6 to 63A SP, DP and TP mcb's, type's B, C & D. 6A to 45A single module RCBO's, types B & C. Compact RCBO's, types B & C. Isolator and mcb dolly locks available.
Door:	Clear door option available – add /CD to end of part number i.e. BX...S1/CD

Product Data Sheet

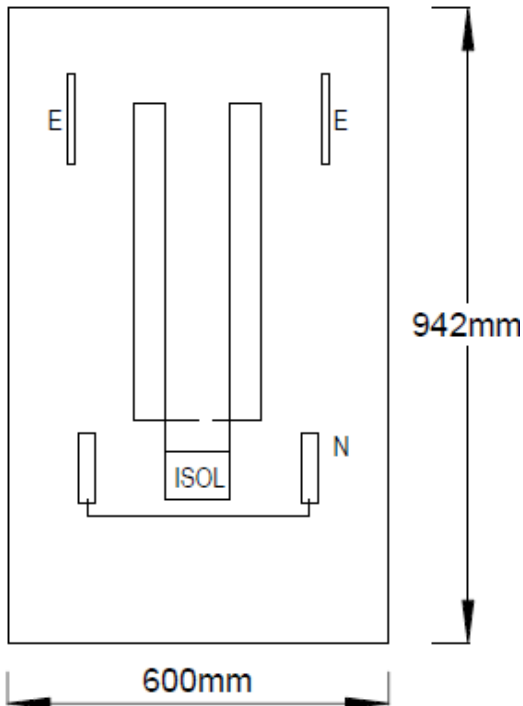


Product Code: XL20S125	Issue No. A	Issue Date: 30/10/2017	Issue by: T. Tombs
----------------------------------	-----------------------	---------------------------	-----------------------

Description

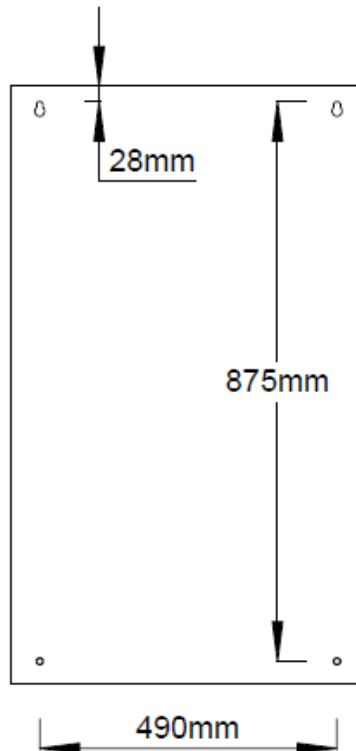
20 Way TP mcb distribution board with 125A TP switch disconnecting incomer.

Key Dimensions

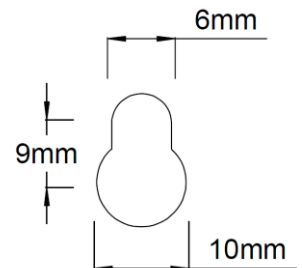


Depth 132mm

Mounting hole positions



Fixing foot detail.



Additional information.

Usage

Intended for use by ordinary persons or instructed persons.

Electrical

Earth & Neutral terminals M10 main bolt, 30Nm. Outgoing terminals: 4x 25mm², others 16mm². Earth & neutral bar both sides of case.

Rated frequency: 50Hz.

Rated operational voltage: 230/400V a.c.

Rated insulation voltage: 690V a.c.

Earthing system: Suitable for use with TN-S, TN-C-S and TT systems.

EMC environment: Environment type A.

Physical

Ambient operating temperature -5 to 40 °C

(Not exceeding average of 35 °C in any 24 hour period).

Maximum altitude 2000m.

Enclosure: Folded mild steel enclosed assembly. Powder coated in Hard wearing epoxy matt light grey paint to RAL 7035.

Installation

Service conditions: Wiring of this product must comply with current IEE regulations. Units are intended for indoor use and dry conditions and **NOT** where high levels of humidity and temperature are experienced.

Note: IP rating of enclosures can be compromised if correct use of glands is not followed when installing unit.