

Product Code	Product Range	Issue No.	Issue Date	Issue By
M2634	Isolators	C	August 2025	T.T.

Description

IP67 4 pole, switch disconnecter in glass fibre, reinforced, unsaturated, polyester resin enclosure.

Features

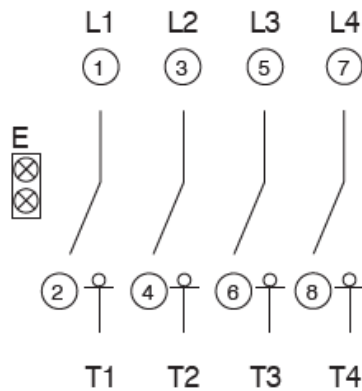
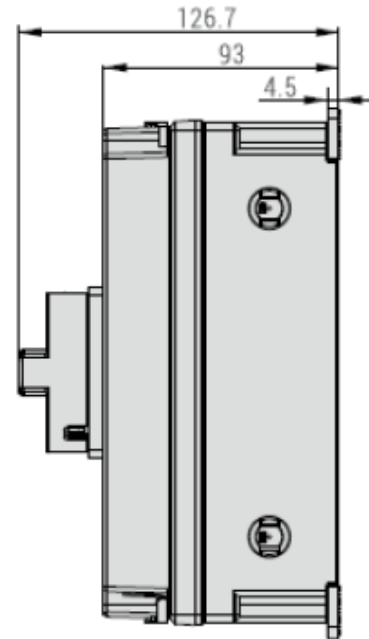
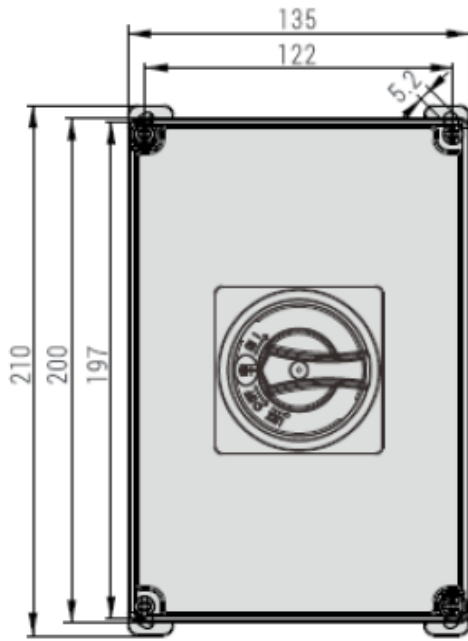
- Modern design and manufacturing process.
- IP67 ingress protection allows installation in the most severe conditions.
- High switching capacity.
- Strong, high impact resistance enclosure.
- Dedicated LOCK OFF position prevents removal of front cover when padlocked.
- Flame resistant and anti-carbonisation.



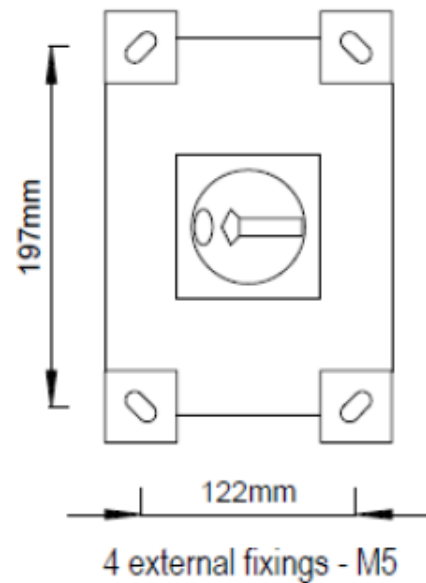
General Characteristics

Standards	BS EN 60947-1 & 3. EN 60529.
Current Rating (In) at 40°C. AC22A	63A 415V 63A 500V 40A 690V.
AC23A	63A 415V 63A 500V 40A 690V.
Rated power AC23A	30kW 415V 30kW 500V 30kW 690V
Maximum operating voltage	690V maximum.
Rated Insulation Voltage (Ui) AC 50-60Hz	800V
Rated Impulse Withstand Voltage (Uimp) AC 50-60Hz	8kV
Rated short circuit making capacity (690V)	2100A
Rated Conditional Short-Circuit (415V)	15kA – 100A backup fuse.
Rated short time withstand – 1s	1500A
Maximum altitude	2000m
Electrical endurance operations	20000
Handle	2 padlock positions in Lock Off position. Padlock not supplied. Interlocked in ON position.
Padlock diameter	6 – 8mm
Polarity	Bi-directional
IP Rating	IP67 conforming to IEC 60529
Pollution Degree	3
Operating temperature	-25C to 40C (40C at 50% relative humidity).
Terminal Capacity	35mm ²
Terminal Torque	2 Nm maximum.
Cable entry facility	2x M25/32 knockout's – top, bottom, & rear. 2x M16 knockouts each side.
Equipment Type / Mounting	Fixed / Screw to surface
Altitude	2000m.
Weight	869g
Resistance to climatic conditions	acc. to IEC 60068-2-30: 28 cycles (55 °C, 95 % relative humidity)
Impact Resistance	IK 08
Auxiliary contact – 1NO, 1 NC (optional)	Part no. M2A11





Fixing Centres:



This isolator should not be operated when submerged.

IP67 definition:

6 - Completely protected against dust ingress.

7 – Temporary protection against immersion in water up to 1m depth. Water must not penetrate in harmful quantities in prescribed conditions.

Suitably IP rated glands must be used.