

Product Data Sheet

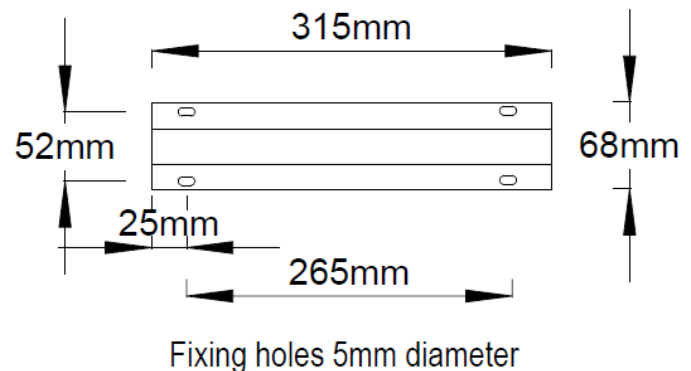


Product Code: PEB6	Issue No. A	Issue Date: 11 /04 /2017	Issue by: T. Tombs.
---------------------------	-----------------------	-----------------------------	------------------------

Description	
6 way earth bar for wall or surface mounting.	
General Characteristics	
Standards.	BSEN 61439-1 (electrical) BSEN 13601 (copper bar)
Fault current rating. I _{cw}	15 kA for 1 second.
Peak current - I _{pk}	30kA.
Current rating (continuous).	400A
Pollution degree	III
Copper bar size. CSA.	25 x 6mm. 150mm.sq.
1 x Main earth terminal bolt	1 x M12 bolt.
Main bolt tightening torque	54 - 56 Nm.
No of outgoing connections	6 x M8 bolts.
M8 tightening torque	20 Nm.
Number of test links	None
Overall length	315 mm
Equipment type.	Fixed stationary
Approx. weight	1.06 kg



Mounting bracket fixing holes.



Usage.
Intended for use by skilled persons or instructed persons.

Installation
Service conditions: Wiring of this product must comply with current IEE regulations. Units are intended for indoor use and dry conditions and **NOT** where high levels of humidity and temperature are experienced.