

Product Specification



S-tech
LED Lighting

Garden and Deck Lights
Deck Light Series



Product Features

- Ø30mm or 45mm Options
- Warm White or RGB Options
- 6 pack of LED deck lights including 12v power supply
- RGB version supplied with IR remote control to manage colours
- Stainless steel trim with PC lens
- 90° Beam Angle
- 21mm or 32mm cut-out Options
- Walk over pressure 100kg
- Plug and play design
- IP67 Housing



Remote control
supplied with
RGB kit only



Specification Overview



Model	Power	Input	Colour Temp	Lumens	Beam Angle	Trim Colour	Weight
DECK30-WW	0.6w	Ø30 x 26mm	3000K	60lm	90°	Stainless Steel	60g
DECK30-RGB	0.6w	Ø30 x 26mm	RGB	60lm	90°	Stainless Steel	60g
DECK45-WW	1w	Ø45 x 26mm	3000K	90lm	90°	Stainless Steel	86g
DECK45-RGB	1w	Ø45 x 26mm	RGB	90lm	90°	Stainless Steel	86g

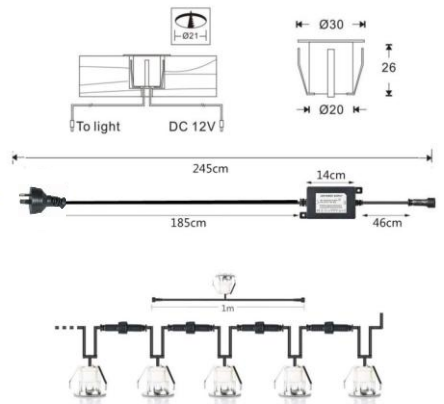
Garden and Deck Lights

30mm Deck Light Kit (6 Pack)

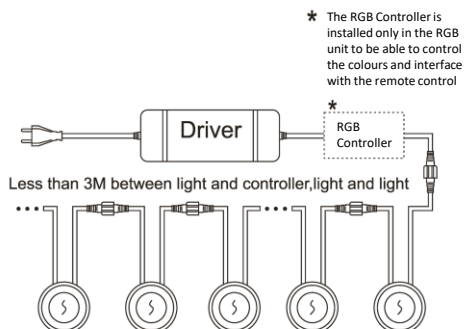


Model	Trim Colour	Power	Lumens	CCT	Cut-Out	Dimension (Dia x H)	Weight
DECK30-WW	Stainless Steel	0.6w	60lm	3000K	21mm	Ø30 x 26mm	60g
DECK30-RGB	Stainless Steel	0.6w	60lm	RGB	21mm	Ø30 x 26mm	60g

Specification				Dimensions	
CCT	3000K or RGB	Housing	Polycarbonate and stainless steel		
Efficacy	>100lm/w	Diffuser	Polycarbonate		
CRI (%)	≥80	Housing Colour	Stainless Steel		
Beam Angle	90°	Lifespan	>40,000 hours		
Power Input	12VDC, constant voltage	Operation Temperature	-20 °C to +45°C		
Dimmable	3000K Model: No RGB Model: Yes (with remote)				
Protection Rating	IP67	Warranty	2 Years		



Connection Diagram



Specifications are subject to change without notice

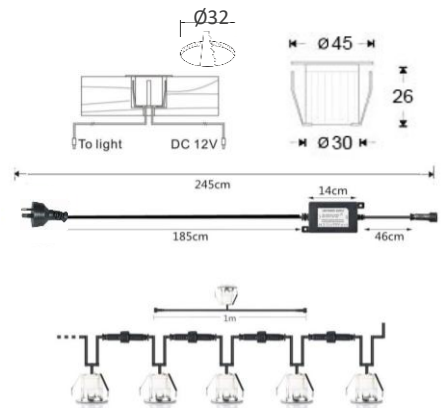
Garden and Deck Lights

45mm Deck Light Kit (6 Pack)

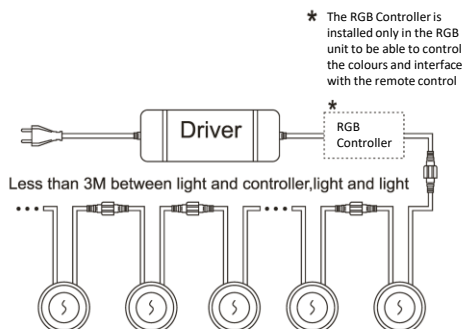


Model	Trim Colour	Power	Lumens	CCT	Cut-Out	Dimension (Dia x H)	Weight
DECK45-WW	Stainless Steel	1w	90lm	3000K	32mm	Ø45 x 26mm	86g
DECK45-RGB	Stainless Steel	1w	90lm	RGB	32mm	Ø45 x 26mm	86g

Specification				Dimensions	
CCT	3000K or RGB	Housing	Polycarbonate and Stainless Steel		
Efficacy	>90lm/w	Diffuser	Polycarbonate		
CRI (%)	≥80	Housing Colour	Stainless Steel		
Beam Angle	90°	Lifespan	>40,000 hours		
Power Input	12VDC, constant voltage	Operation Temperature	-20 °C to +45°C		
Dimmable	3000K Model: No RGB Model: Yes (with remote)				
Protection Rating	IP67	Warranty	2 Years		



Connection Diagram



Specifications are subject to change without notice